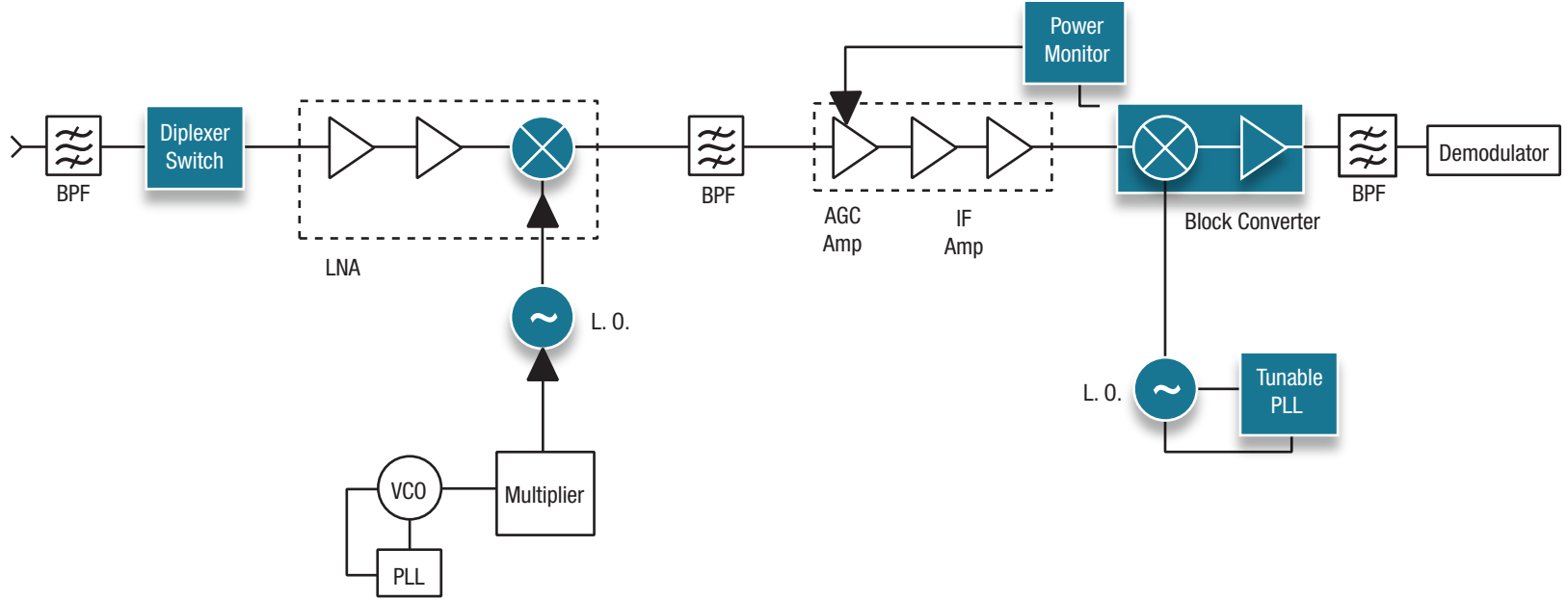


# Satellite Systems

Part numbers link to product information

**Receiver**  
 Nominal Frequency:  
 5.9–6.4 GHz  
 10.5–12.5 GHz  
 19.5–20.0 GHz



**Transmitter**  
 Nominal Frequency:  
 5.9–6.4 GHz  
 14.0–14.5 GHz  
 29.5–30.0 GHz

