

SKY77182 Power Amplifier Module for WCDMA / HSDPA (1920–1980 MHz)

Applications

- WCDMA Handsets
- HSDPA Handsets
- Personal Communications Services (PCS)
- Wireless local loop (WLL)

Features

- No V_{REF} required
- Low voltage positive bias - 3.1 V to 4.6 V
- Supports low collector voltage operation
- Good linearity
- High efficiency at all power levels (17% at 15 dBm)
- Large dynamic range
- Low Profile 8-pad package - 3 mm x 3 mm x 0.85 mm
- Power-down control
- InGaP
- Digital V_{ENABLE}
- Digital or Analog $V_{CONTROL}$

Description

The SKY77182 Power Amplifier module is a fully matched 8-pad surface mount module developed for Wideband Code Division Multiple Access (WCDMA) applications. This small and efficient power amplifier packs full coverage of the 1920–1980 MHz bandwidth into a single compact package. The SKY77182 meets the stringent spectral linearity requirements of HSDPA (High Speed Downlink Packet Access) data transmission with high power added efficiency for power output of up to 28 dBm. Because of high efficiencies attained throughout the entire power range, the SKY77182 delivers unsurpassed talk-time advantages.

The single Gallium Arsenide (GaAs) Microwave Monolithic Integrated Circuit (MMIC) contains all active circuitry in the module. The MMIC includes on-board bias circuitry, as well as input and interstage matching circuits. The output match is realized off-chip within the module package to optimize efficiency and power performance into a 50 Ω load. This device is manufactured with Skyworks' InGaP GaAs Heterojunction Bipolar Transistor (HBT) process that provides for all positive voltage DC supply operation while maintaining high efficiency and good linearity. Primary bias to the SKY77182 is supplied directly from a three-cell Ni-Cd, a single-cell Li-Ion, or other suitable battery with an output in the 3.1 to 4.6 volt range. No V_{REF} voltage is required. Power-down is accomplished by setting the voltage on V_{ENABLE} to zero volts. Digital bias control can be used to optimize efficiency at high and low power or analog bias control can be used to optimize efficiency over the entire power range. No external supply side switch is needed as typical "off" leakage is a few microamperes with full primary voltage supplied from the battery.

NEW Skyworks Green™ products are lead (Pb)-free, RoHS (Restriction of Hazardous Substances)-compliant, conform to the EIA/EICTA/JEITA Joint Industry Guide (JIG) Level A guidelines, and are free from antimony trioxide and brominated flame retardants.

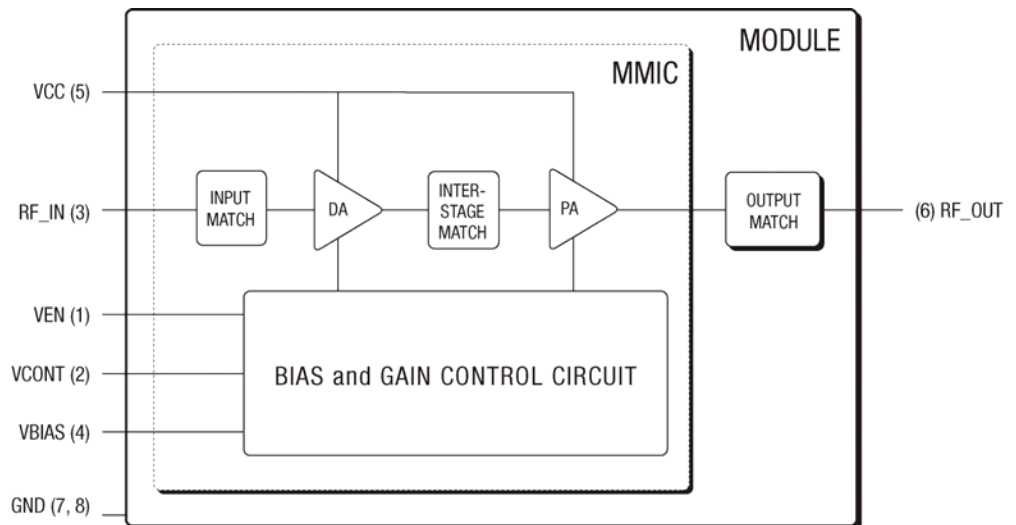



Figure 1. SKY77182 Functional Block Diagram

200850_001

Electrical Specifications

The following tables list the electrical characteristics of the SKY77182 Power Amplifier. Table 1 lists the absolute maximum ratings, while Table 2 shows the recommended operating conditions to achieve the performance characteristics for WCDMA

and HSDPA listed, respectively, in Table 3 and Table 5. Standard test configurations for WCDMA and HSDPA are shown in Table 4 and Table 6, respectively. Table 7 specifies the recommended control and collector voltages vs. output power for low collector voltage operation.

Table 1. Absolute Maximum Ratings¹

Parameter	Symbol	Minimum	Maximum	Unit
RF Input Power	P _{IN}	—	8.0	dBm
Supply Voltage	V _{CC} , V _{BIAS}	—	6.0	Volts
Control Voltage	V _{CONT}	0	1.5	Volts
Enable Voltage	V _{EN}	—	3.0	Volts
Case Temperature	Operating	T _{CASE}	110	°C
	Storage	T _{STG}	125	
Ruggedness – no damage ²	R _U	—	10:1	VSWR

¹ No damage assuming only one parameter is set at limit at a time with all other parameters set at nominal value.

² P_{O_MAX}, all phases, time = 10 sec, continuous modulated signal.

Table 2. Recommended Operating Conditions

Parameter	Symbol	Minimum	Nominal	Maximum	Unit
RF Output Power	WCDMA	P _{O_MAX}	—	28	dBm
	HSDPA		—	27	
Operating Frequency	F ₀	1920	1950	1980	MHz
Supply Voltage ¹	V _{BATT}	V _{CC}	3.1	3.4	Volts
	DC/DC		1.5	3.4	
Bias Voltage	V _{BIAS}	3.4	3.4	4.6	Volts
Enable Voltage	PA On	V _{EN}	0.8	1.1	Volts
	PA Off		0.0	—	
V _{CONTROL} Range	High Power Range	V _{CONT}	0.5	1.0	Volts
Load Mismatch (all angles)	VSWR	—	1.0	—	VSWR
Case Operating Temperature	T _{CASE}	–20	25	85	°C

¹ When V_{CC} supply is ≤ 3.4 V, P_{O_MAX} must be backed off 0.5 dB.

Table 3. SKY77182 Electrical Specifications for WCDMA — Recommended Operating Conditions¹
Refer to Table 4. Standard Test Configuration — WCDMA Voice Mode (Uplink Reference Measurement Channel: 12.2 kbps)

Characteristics	Symbol	Condition	Minimum	Typical	Maximum	Unit	
Gain Conditions	High Power	GHIGH	PO_MAX	26.0	31.0	34.0	dB
	Low Power	GLOW	VCC = 1.6 V VCONT = 0.8 V PO = 16 dBm TCASE = 25 °C	24.0	27.5	31.0	
Gain Variation Over Frequency		—	—	—	1.5	dB	
Power Added Efficiency @ VCC = 3.4 V	High Power	PAEHIGH	PO_MAX TCASE = 25 °C	35.0	39.0	—	%
	Low Power	PAELOW	VCC = 1.6 V VCONT = 0.8 V PO = 16 dBm	14.0	18.5	—	
Error Vector Magnitude	EVM	—	—	2	3	%	
Adjacent Channel Leakage power Ratio ²	5 MHz offset	ACLR1_H	PO_MAX	—	-40.0	-36.0	dBc
		ACPR1_L	VCC = 1.6 V VCONT = 0.8 V PO = 16 dBm	—	-42.0	-38.0	
	10 MHz offset	ACLR2_H	PO_MAX	—	-53.0	-48.0	
		ACLR2_L	VCC = 1.6 V VCONT = 0.8 V PO = 16 dBm	—	-65.0	-53.0	
Harmonic Suppression	Second	fH2	VCC = 3.4 V	—	-48	-43	dBc
	Third	fL3		—	-58	-53	
Noise Power ³	PN_GSM_II	875 to 925 MHz	—	—	-95	dBm/30 kHz	
	PN_GPS	1570 to 1580 MHz	—	—	-90		
	PN_PHS	1893.5 to 1919.6 MHz	—	—	-53		
	PN_DCS	1805 to 1880 MHz	—	—	-83		
	PN_WRX	2110 to 2170 MHz	—	—	-93		
	PN_WRX2	RX = 2110 MHz TX = 1980 MHz	—	—	-70		
	PN_BT	2400 to 2480 MHz	—	—	-80		
Noise Figure	NF	—	—	—	5	dB	
Input Voltage Standing Wave Ratio (VSWR)	VSWR	—	—	1.5	2.0	—	
Stability	S	VSWR = 6:1	—	—	-65	dBc	
Quiescent Current	ICQ_H	VCC = 3.4 V VCONT = 1.0 V	—	65	—	mA	
Control Current	ICONT	—	—	—	200	μA	
Enable Current	IEN	VEN ≥ 1.0 V	—	—	5	μA	
Leakage Current	I LEAK	VREF = off VEN = off	—	10	12	μA	

¹ Per Table 2, unless otherwise specified. Data in Table 3 were verified with the WCDMA test configuration shown in Table 4.

² ACLR is specified per 3GPP as the ratio of total in-band power to adjacent power, both measured in 3.84 MHz bandwidth at specified offsets.

³ PO ≤ 27.5 dBm

Table 4. Standard Test Configuration — WCDMA Voice Mode (Uplink Reference Measurement Channel: 12.2 kbps)

Parameter	Level	Spread Code	Spread Factor	I/Q	β_c	β_d	β_{hs}	Relative Power
Information Bit Rate	12.2 kbps	—	—	—	—	—	—	—
DPCCH	15.0 kbps	0	256	Q	8/15	—	—	-6.547 dB
DPDCH	60.0 kbps	16	64	I	—	15/15	—	-1.087 dB
TFCI	0n	—	—	—	—	—	—	—

Table 5. SKY77182 Electrical Specifications for HSDPA — Recommended Operating Conditions¹
Refer to **Table 6. Standard Test Configuration — HSDPA Mode**

Characteristics		Symbol	Condition	Minimum	Typical	Maximum	Unit
Gain Conditions	High Power	G _{HIGH}	P _{O_MAX}	26.0	31.0	34.0	dB
	Low Power	G _{LOW}	V _{CC} = 1.6 V V _{CONT} = 0.8 V P _O = 16 dBm T _{CASE} = 25 °C	24.0	27.5	31.0	
Gain Variation Over Frequency			—	—	—	1.5	dB
Power Added Efficiency @ V _{CC} = 3.4 V	High Power	PAE _{HIGH}	P _{O_MAX}	33.0	35.5	—	%
	Low Power	PAE _{LOW}	V _{CC} = 1.6 V V _{CONT} = 0.8 V P _O = 16 dBm	15.0	19.0	—	
Error Vector Magnitude		EVM	—	—	2	3	%
Adjacent Channel Leakage power Ratio ²	5 MHz offset	ACLR1_H	P _{O_MAX}	—	-38	-36	dBc
		ACLR1_L	V _{CC} = 1.6 V V _{CONT} = 0.8 V P _O = 16 dBm	—	-48	-38	
	10 MHz offset	ACLR2_H	P _{O_MAX}	—	-53	-46	
		ACLR2_L	V _{CC} = 1.6 V V _{CONT} = 0.8 V P _O = 16 dBm	—	-60	-53	

¹ Per Table 2, unless otherwise specified. Data in Table 5 were verified with the HSDPA test configuration shown in Table 6.

² ACLR is specified per 3GPP as the ratio of in-band power to adjacent power, both measured in 3.84 MHz bandwidth at specified offsets.

Table 6. Standard Test Configuration — HSDPA Mode

Parameter	Level	Spread Code	Spread Factor	I/Q	β_c	β_d	β_{hs}	Relative Power
DPCCH	15 kbps	0	256	Q	12/15	—	—	–8.17 dB
DPDCH	60 kbps	16	64	I	—	15/15	—	–6.23 dB
HS– DPDCH	15 kbps	64	256	Q	—	—	24/15	–2.15 dB
TFCI	On	—	—	—	—	—	—	—

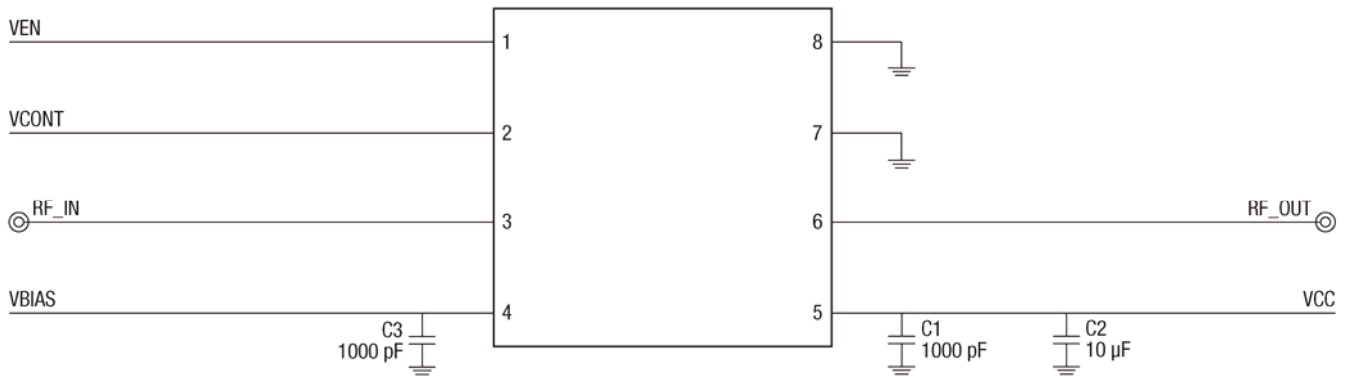
Table 7. Recommended Controls for Low Collector Voltage Operation

PSET WCDMA	PSET HSDPA	VCONT	VCC	VEN	VBIAS
–10.0	–10.0	0.50	1.5	1.35	3.4
0.0	0.0	0.50	1.5	1.35	3.4
5.0	5.0	0.50	1.5	1.35	3.4
9.0	9.0	0.60	1.5	1.35	3.4
13.0	13.0	0.70	1.5	1.35	3.4
15.0	15.0	0.75	1.5	1.35	3.4
16.0	16.0	0.80	1.6	1.35	3.4
17.0	17.0	0.80	1.7	1.35	3.4
18.0	18.0	0.85	1.8	1.35	3.4
20.0	20.0	0.90	2.0	1.35	3.4
23.0	23.0	1.00	2.3	1.35	3.4
24.0	24.0	1.00	2.6	1.35	3.4
25.0	25.0	1.00	2.8	1.35	3.4
26.0	26.0	1.00	3.0	1.35	3.4
27.0	26.5	1.00	3.1	1.35	3.4
27.5	27.0	1.00	3.4	1.35	3.4
28.0	—	1.00	3.4	1.35	3.4
27.5	27.0	1.00	4.6	1.35	4.6

Evaluation Board Description

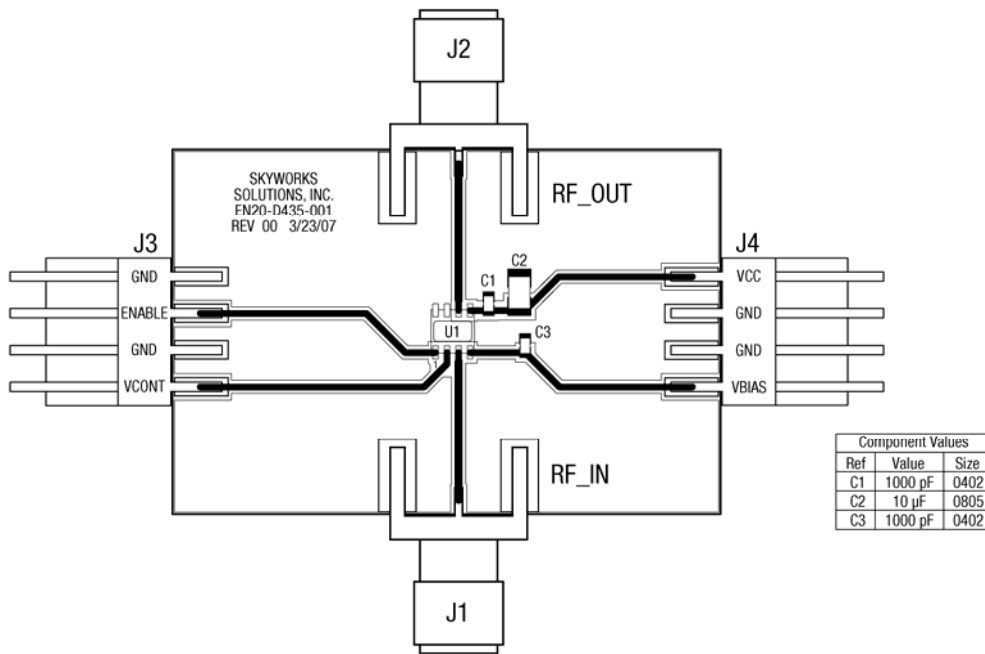
The evaluation board is a platform for testing and interfacing design circuitry. To accommodate the interface testing of the SKY77182, the evaluation board schematic and diagrams are

included for preliminary analysis and design. Figure 2 shows the basic schematic of the board for the 1920 MHz to 1980 MHz range.



200850_002

Figure 2. Evaluation Board Schematic



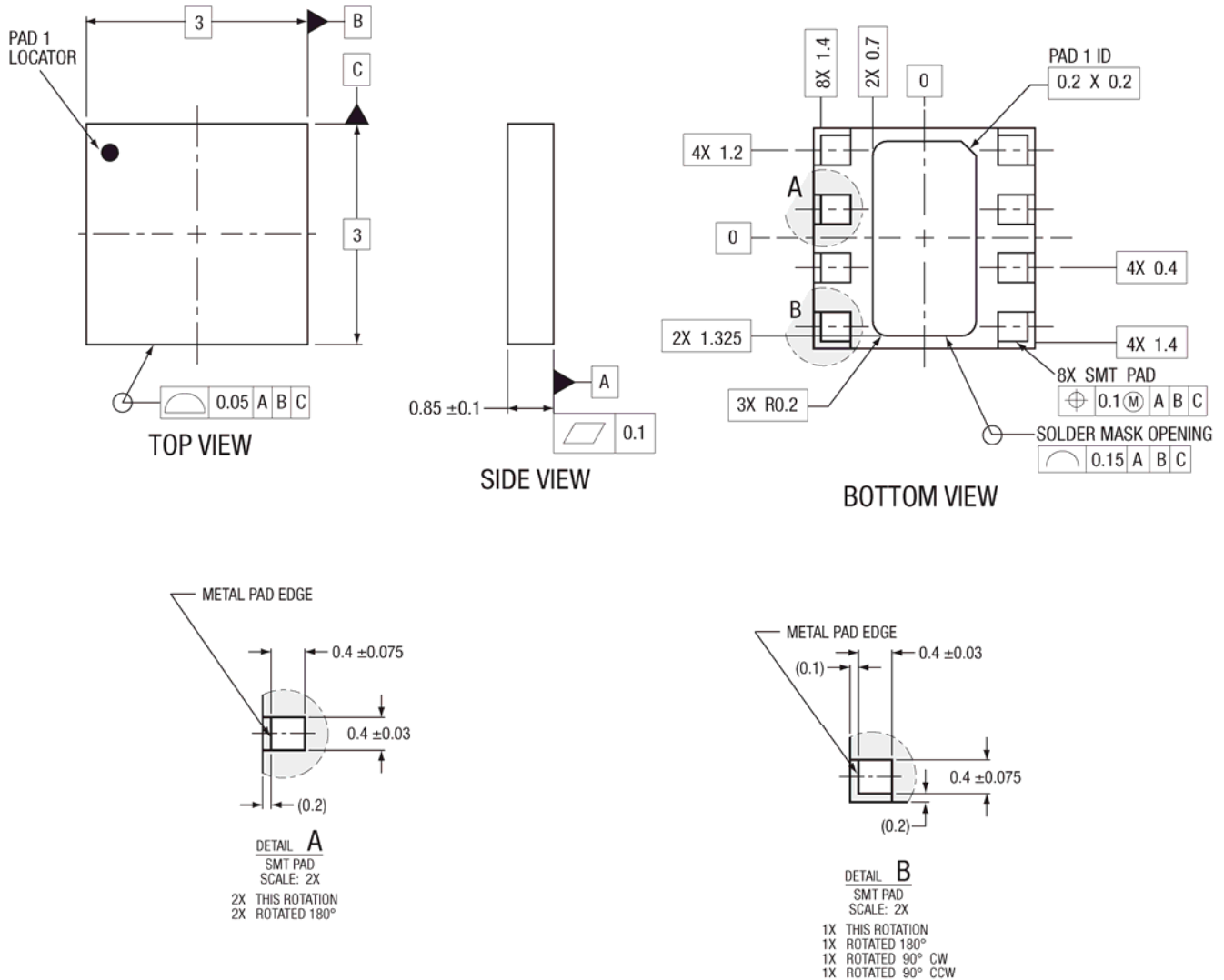
200850_003

Figure 3. Evaluation Board Assembly Diagram

Package Dimensions and Pad Descriptions

The SKY77182 is a multi-layer laminate base, overmold encapsulated modular package designed for surface mount solder attachment to a printed circuit board. Figure 4 is a mechanical drawing of the pad layout for this package. Figure 5 provides a

recommended phone board layout footprint for the PAM to help the designer attain optimum thermal conductivity, good grounding, and minimum RF discontinuity for the 50-ohm terminals.



NOTES: Unless otherwise specified

1. DIMENSIONING AND TOLERANCES IN ACCORDANCE WITH ASME Y14.5M-1994.
2. SEE APPLICABLE BONDING DIAGRAM AND DEVICE ASSEMBLY DRAWING FOR DIE AND COMPONENT PLACEMENT.
3. PADS ARE SOLDER MASK DEFINED ON ALL INSIDE EDGES.
4. ALL DIMENSIONS ARE IN MILLIMETERS.

Figure 4. Drawing for 3 mm x 3 mm x 0.85 mm, 8-pad Package – SKY77182 (All Views)

SP00-D506
200850_004

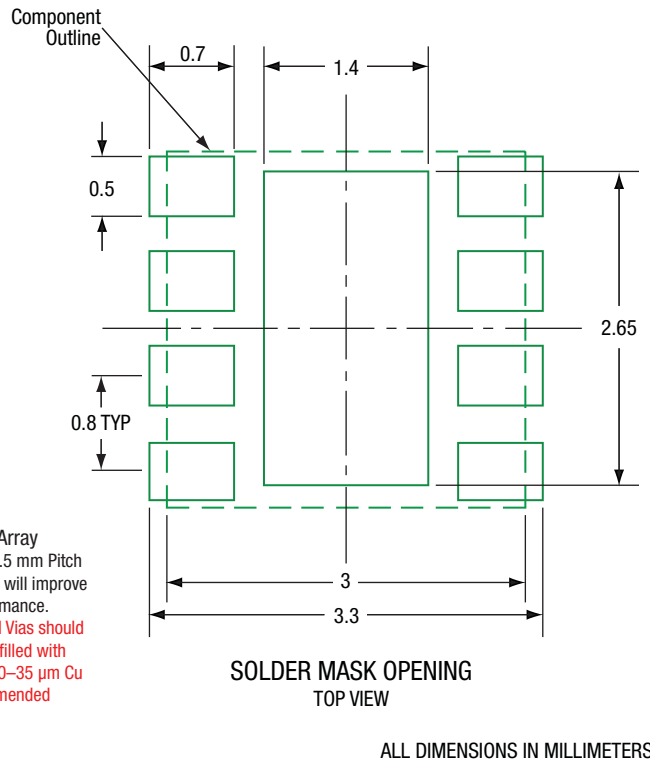
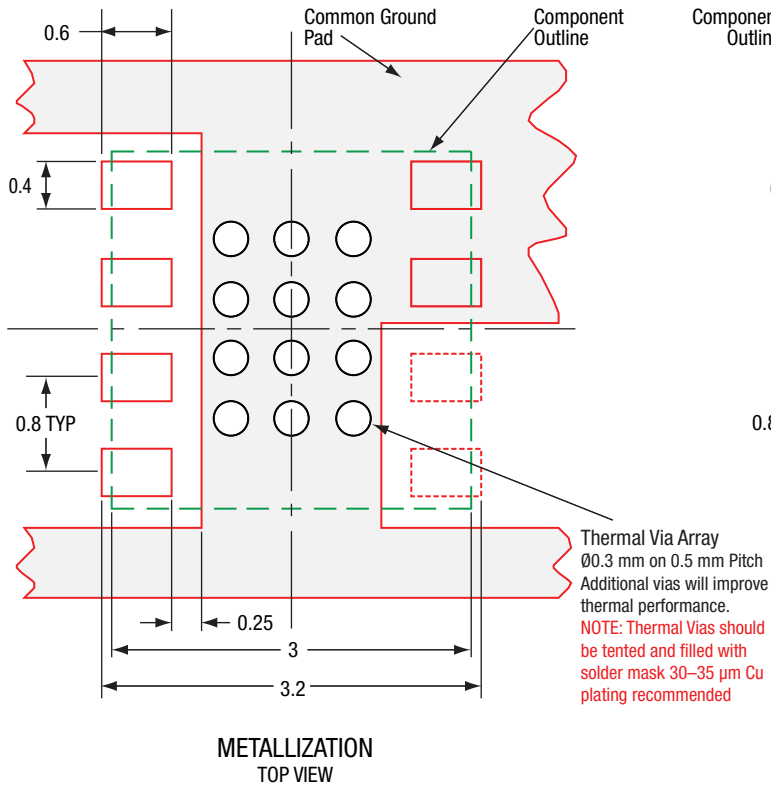
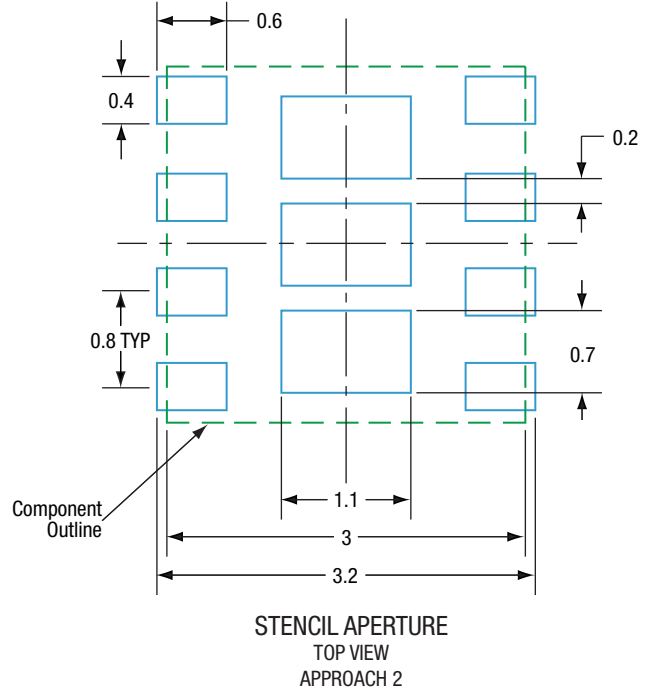
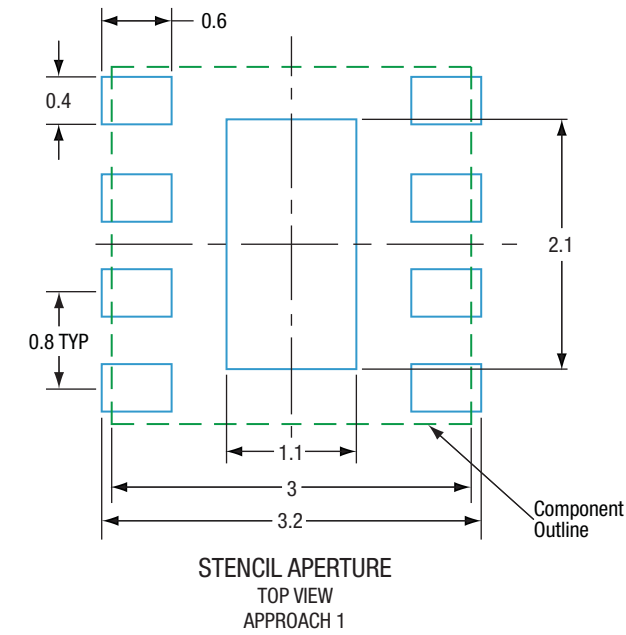
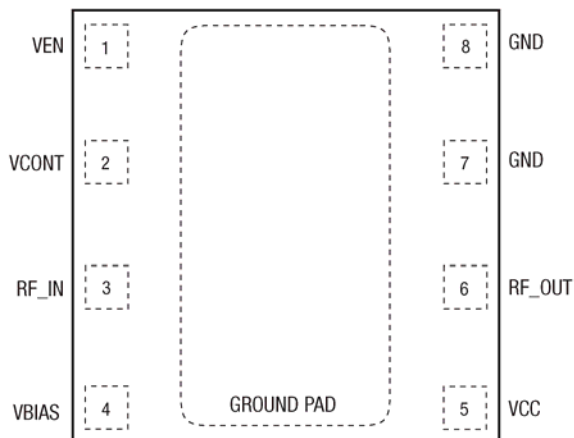


Figure 5. Phone PCB Layout Footprint for 3 mm x 3 mm, 8-Pad Package – SKY77182

200565_005

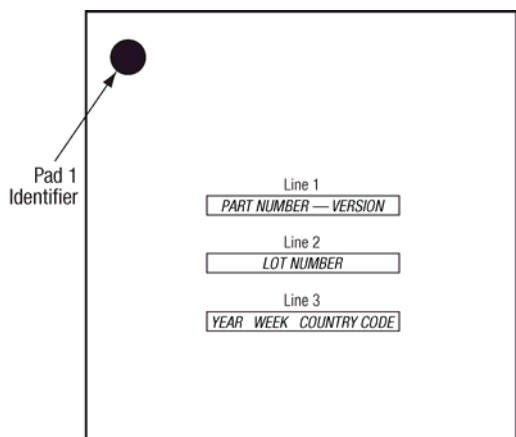
Package Description

Figure 6 shows the pad names and the pad numbering convention, which starts with pad 1 at the upper left, and increments counter-clockwise around the package. Figure 7 illustrates typical case markings.



Pad layout as seen from Top View looking through the package. GROUND PAD is package underside. 200850_005

Figure 6. SKY77182 Pad Names and Configuration – Top View



NOTE: Lines 1, 2, 3 have a maximum of 7 characters
YEAR = Year of Manufacture
WEEK = Week Package Was Sealed
Country Code = Country of Manufacture (MX)

200850_007

Figure 7. Typical Case Markings – Top View

Package Handling Information

Because of its sensitivity to moisture absorption, this device package is baked and vacuum-packed prior to shipment. Instructions on the shipping container label must be followed regarding exposure to moisture after the container seal is broken, otherwise, problems related to moisture absorption may occur

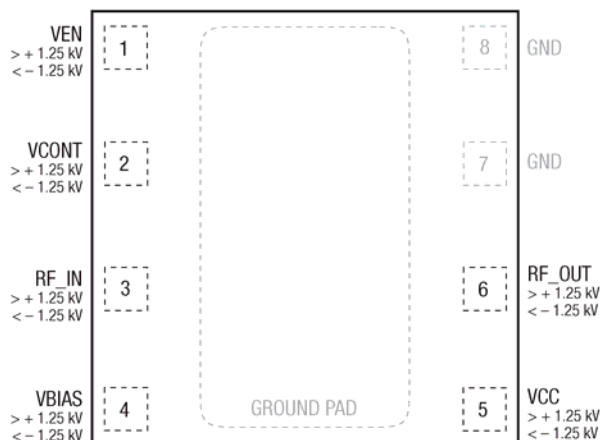
when the part is subjected to high temperature during solder assembly.

The SKY77182 is capable of withstanding an MSL3/260 °C solder reflow. Care must be taken when attaching this product, whether it is done manually or in a production solder reflow environment. If the part is attached in a reflow oven, the temperature ramp rate should not exceed 3 °C per second; maximum temperature should not exceed 260 °C. If the part is manually attached, precaution should be taken to insure that the part is not subjected to temperatures exceeding 260 °C for more than 10 seconds. For details on attachment techniques, precautions, and handling procedures recommended by Skyworks, please refer to Skyworks Application Note: *PCB Design and SMT Assembly/Rework*, Document Number 101752. Additional information on standard SMT reflow profiles can also be found in the *JEDEC Standard J-STD-020*.

Production quantities of this product are shipped in the standard tape-and-reel format (Figure 9).

Electrostatic Discharge (ESD) Sensitivity

The SKY77182 is a Class 1C device. Figure 8 lists the Electrostatic Discharge (ESD) immunity level for each non-ground pad of the SKY77182 product. The numbers in Figure 8 specify the ESD threshold level for each pad where the I-V curve between the pad and ground starts to show degradation. ESD testing was performed in compliance with MIL-STD-883E Method 3015.7 using the Human Body Model. If ESD damage threshold magnitude is found to consistently exceed 2000 volts on a given pad, this so is indicated. If ESD damage threshold below 2000 volts is measured for either polarity, numbers are indicated that represent worst case values observed in product characterization.



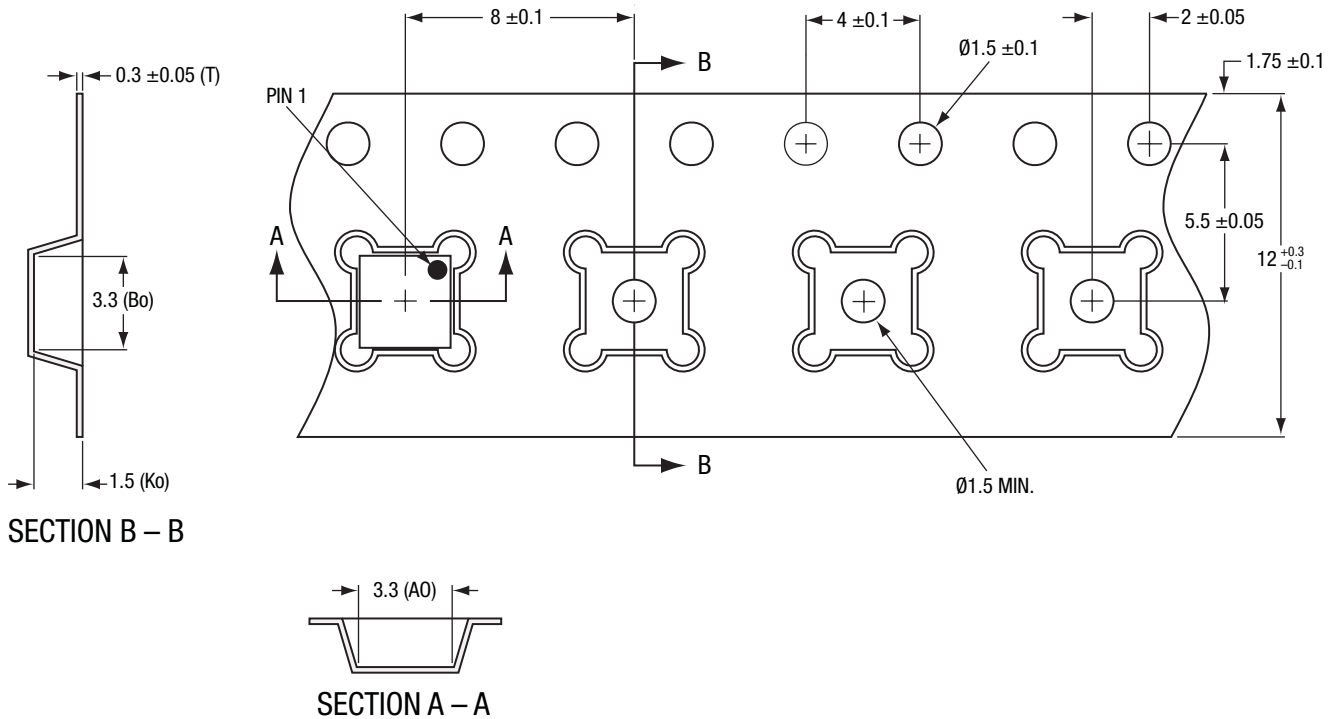
Pad layout as seen from Top View looking through package. 200850_008

Figure 8. SKY77182 ESD Sensitivity Areas – Top View

Various failure criteria can be utilized when performing ESD testing. Many vendors employ relaxed ESD failure standards, which fail devices only after “the pad fails the electrical specification limits” or “the pad becomes completely non-functional”. Skyworks employs most stringent criteria, fails

devices as soon as the pad begins to show any degradation on a curve tracer. To avoid ESD damage, both latent and visible, it is very important that the product assembly and test areas follow the Class 1C ESD handling precautions listed below.

- Personnel Grounding
 - Wrist Straps
 - Conductive Smocks, Gloves and Finger Cots
 - Antistatic ID Badges
- Protective Workstation
 - Dissipative Table Top
 - Protective Test Equipment (Properly Grounded)
 - Grounded Tip Soldering Irons
 - Solder Conductive Suckers
 - Static Sensors
- Facility
 - Relative Humidity Control and Air Ionizers
 - Dissipative Floors (less than 109 Ω to GND)
- Protective Packaging and Transportation
 - Bags and Pouches (Faraday Shield)
 - Protective Tote Boxes (Conductive Static Shielding)
 - Protective Trays
 - Grounded Carts
 - Protective Work Order Holders



NOTES:

1. CARRIER TAPES MUST MEET ALL REQUIREMENTS OF SKYWORKS GP01–D232 PROCUREMENT SPEC FOR TAPE AND REEL SHIPPING.
- ② CARRIER TAPE SHALL BE BLACK CONDUCTIVE POLYCARBONATE OR POLYSTYRENE.
3. COVER TAPE SHALL BE TRANSPARENT CONDUCTIVE PRESSURE-SENSITIVE ADHESIVE (PSA) MATERIAL W/ 9.3 mm WIDTH.
4. ESD-SURFACE RESISTIVITY SHALL BE $\leq 1 \times 10^{10}$ OHMS/SQUARE PER EIA, JEDEC TNR SPECIFICATION.
5. 10 SPROCKET HOLE PITCH CUMULATIVE TOLERANCE: ± 0.2 mm
6. Ao & Bo MEASURED ON PLANE 0.3 mm ABOVE THE BOTTOM OF THE POCKET.
7. ALL DIMENSIONS ARE IN MILLIMETERS.
8. PART NO.: KS-1208-332 REV. 00 (PLEASE INDICATE ON PURCHASE ORDER).
9. NUMBER OF PARTS per 13 inch (DIAMETER) x 12 mm REEL: 2500/4500.

KOSTAT CARRIER TAPE

CARRIER TAPE OVERMOLD MCM / RFLGA 3 x 3 x 1.4 mm BODY SIZE GP01-D232-187C
101568_002

Figure 9. Dimensional Diagram for Carrier Tape Body Size 3 mm x 3 mm x 0.85 mm – Overmold MCM

Ordering Information

Model Number	Manufacturing Part Number	Product Revision	Package	Operating Temperature
SKY77182	SKY77182		MCM 3 mm x 3 mm x 0.85 mm LM-8	-20 °C to 85 °C

Revision History

Revision	Date	Description
A	February 14, 2008	Initial Release
B	September 3, 2009	Revise: Features (p1); Figure 4; ESD section Add: Figure 9

References

Application Note: PCB Design and SMT Assembly/Rework, Document Number 101752

Application Note: Tape and Reel Information – RF Modules, Document Number 101568

Standard SMTP Reflow Profiles: JEDEC Standard J-STD-020

© 2008–2009, Skyworks Solutions, Inc. All Rights Reserved.

Information in this document is provided in connection with Skyworks Solutions, Inc. ("Skyworks") products. These materials are provided by Skyworks as a service to its customers and may be used for informational purposes only. Skyworks assumes no responsibility for errors or omissions in these materials. Skyworks may make changes to its products, specifications and product descriptions at any time, without notice. Skyworks makes no commitment to update the information and shall have no responsibility whatsoever for conflicts, incompatibilities, or other difficulties arising from future changes to its products and product descriptions.

No license, express or implied, by estoppel or otherwise, to any intellectual property rights is granted by this document. Except as may be provided in Skyworks' Terms and Conditions of Sale for such products, Skyworks assumes no liability whatsoever.

THESE MATERIALS ARE PROVIDED "AS IS" WITHOUT WARRANTY OF ANY KIND, EITHER EXPRESS OR IMPLIED, RELATING TO SALE AND/OR USE OF SKYWORKS® PRODUCTS INCLUDING WARRANTIES RELATING TO FITNESS FOR A PARTICULAR PURPOSE, MERCHANTABILITY, PERFORMANCE, QUALITY OR NON-INFRINGEMENT OF ANY PATENT, COPYRIGHT OR OTHER INTELLECTUAL PROPERTY RIGHT. SKYWORKS FURTHER DOES NOT WARRANT THE ACCURACY OR COMPLETENESS OF THE INFORMATION, TEXT, GRAPHICS OR OTHER ITEMS CONTAINED WITHIN THESE MATERIALS. SKYWORKS SHALL NOT BE LIABLE FOR ANY SPECIAL, INDIRECT, INCIDENTAL, OR CONSEQUENTIAL DAMAGES, INCLUDING WITHOUT LIMITATION, LOST REVENUES OR LOST PROFITS THAT MAY RESULT FROM THE USE OF THESE MATERIALS.

Skyworks® products are not intended for use in medical, lifesaving or life-sustaining applications. Skyworks' customers using or selling Skyworks® products for use in such applications do so at their own risk and agree to fully indemnify Skyworks for any damages resulting from such improper use or sale.

The following are trademarks of Skyworks Solutions, Inc.: Skyworks®, the Skyworks symbol, and "Breakthrough Simplicity"®. Product names or services listed in this publication are for identification purposes only, and may be trademarks of third parties. Third-party brands and names are the property of their respective owners.

Additional information, posted at www.skyworksinc.com, is incorporated by reference.