

PRODUCT SUMMARY

SKY81294: 1.5 A Single Flash LED Driver with I²C Control Interface

Applications

- LED photo flash with Movie/Torch mode
- IR facial recognition
- Camera-enabled mobile devices
- Cell phones/smartphones
- Digital still cameras

Features

- Input voltage range: 2.5 V to 5.5 V
- Up to 1.5 A regulated output current
- Up to 90% efficiency
- 2.75 MHz switching frequency
- Soft-start and input current limit
- Separate flash enable/flash inhibit
- Programmable blinking LED notification
- Industry standard I²C programming:
 - Flash and Movie mode (MM) current
 - Input voltage monitor with programmable thresholds
 - Current read-back in input voltage monitor operation
 - Programmable safety timer
 - Fault read back
- Fault protection:
 - Integrated flash safety timer
 - Over-voltage protection (open LED, open circuit)
 - Short circuit
 - Over-temperature protection
 - Programmable inductor current limit
 - Flash mode input voltage monitor
 - Open-drain fault output (only for 16-bump version)
- –40 °C to +85 °C temperature range
- Small WLCSP (16-bump, 1.741 mm × 1.741 mm, 0.4 mm pitch; 9-bump, 1.741 mm × 1.741 mm, 0.5 mm pitch) packages (MSL1, 260 °C per JEDEC J-STD-020)

Description

The SKY81294 is a high-efficiency, 1.5 A high-current boost converter with a programmable constant current. The device is intended for LED photo flash applications in all single-cell Li-Ion powered portable products.

The SKY81294 maintains the flash LED output current using a DC-DC step-up converter with a bypass function to maximize efficiency under all load conditions. The flash current can be programmed up to 1.5 A. This provides a direct flash LED cathode connection to the ground plane that helps heat dissipation and simplifies PCB routing.

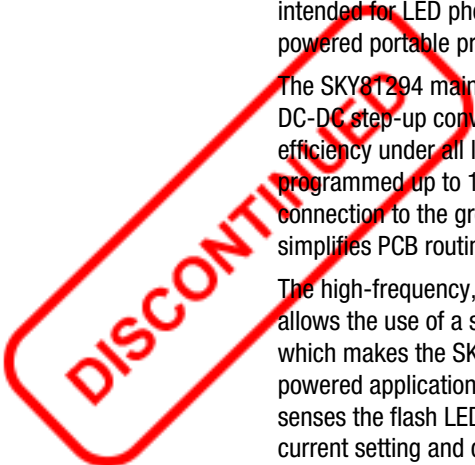
The high-frequency, 2.75-MHz DC-DC boost switching frequency allows the use of a small external inductor and output capacitor, which makes the SKY81294 ideally suited for small battery-powered applications. A start-up control circuit automatically senses the flash LED forward voltage at any programmed output current setting and determines the most efficient operation mode.

An industry standard I²C digital interface is used to program the SKY81294 LED Flash and Movie modes. Device operations are fully configurable, such as for movie and flash current level, current limits, and fault reporting. The SKY81294 has a separate flash enable input to initiate the flash operation and a flash inhibit input either to reduce the flash current to Movie-mode levels or to shut off the flash current during high battery demand conditions. The flash inhibit mode can be programmed through the FLINHM bit set.

Fault status may be read using the I²C interface after the system is alerted by an open-drain fault flag. Built-in circuitry prevents excessive inrush current during start-up.

The SKY81294 is provided in small, 16-bump/9-bump, 1.741 mm × 1.741 mm Wafer Level Chip Scale Packages (WLCSP).

A typical application circuit is shown in Figure 1.



Skyworks Green™ products are compliant with all applicable legislation and are halogen-free. For additional information, refer to *Skyworks Definition of Green™*, document number SQ04-0074.

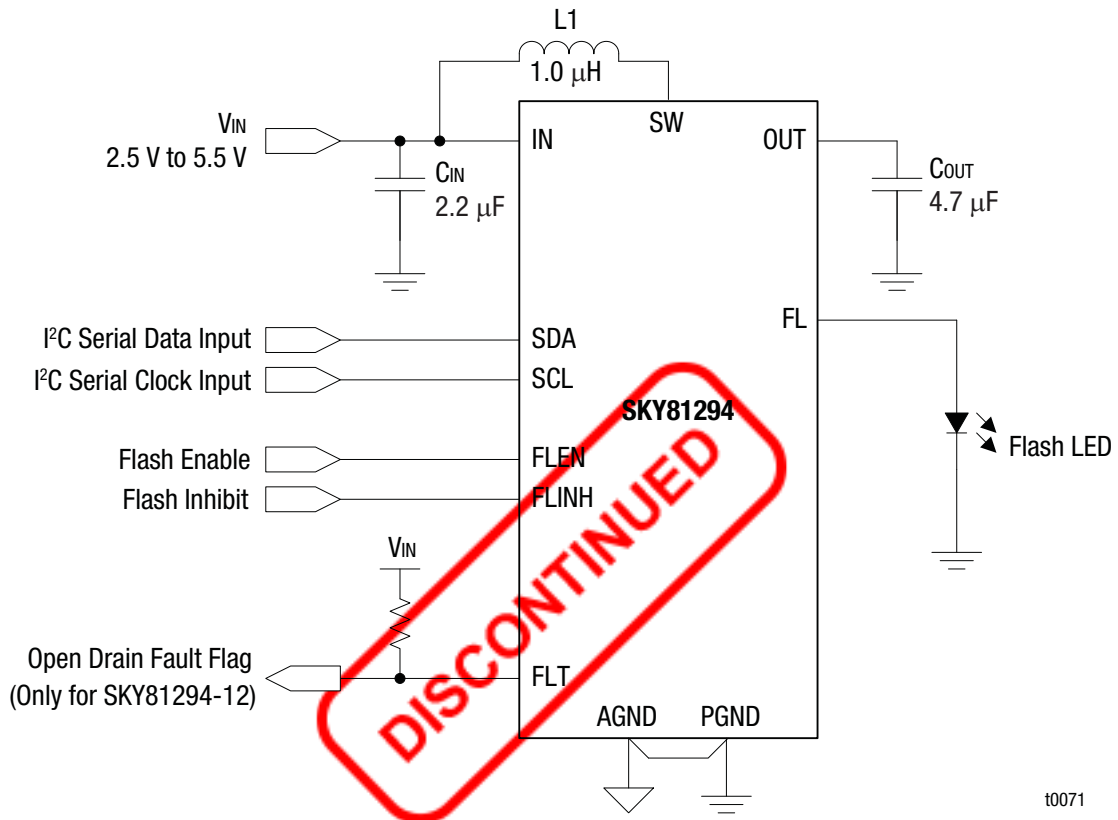


Figure 1. SKY81294 Typical Application Circuit

t0071

Ordering Information

Model Name	Package	Manufacturing Part Number	Evaluation Board Part Number
SKY81294: 1.5 A Single Flash LED Driver with I ² C Control Interface	1.75 mm × 1.75 mm, 16-bump WLCSP	SKY81294-12-001	SKY81294-12-EVB
	1.75 mm × 1.75 mm, 9-bump WLCSP	SKY81294-14-001	SKY81294-14-EVB



Copyright © 2014 Skyworks Solutions, Inc. All Rights Reserved.

Information in this document is provided in connection with Skyworks Solutions, Inc. (“Skyworks”) products or services. These materials, including the information contained herein, are provided by Skyworks as a service to its customers and may be used for informational purposes only by the customer. Skyworks assumes no responsibility for errors or omissions in these materials or the information contained herein. Skyworks may change its documentation, products, services, specifications or product descriptions at any time, without notice. Skyworks makes no commitment to update the materials or information and shall have no responsibility whatsoever for conflicts, incompatibilities, or other difficulties arising from any future changes.

No license, whether express, implied, by estoppel or otherwise, is granted to any intellectual property rights by this document. Skyworks assumes no liability for any materials, products or information provided hereunder, including the sale, distribution, reproduction or use of Skyworks products, information or materials, except as may be provided in Skyworks Terms and Conditions of Sale.

THE MATERIALS, PRODUCTS AND INFORMATION ARE PROVIDED “AS IS” WITHOUT WARRANTY OF ANY KIND, WHETHER EXPRESS, IMPLIED, STATUTORY, OR OTHERWISE, INCLUDING FITNESS FOR A PARTICULAR PURPOSE OR USE, MERCHANTABILITY, PERFORMANCE, QUALITY OR NON-INFRINGEMENT OF ANY INTELLECTUAL PROPERTY RIGHT; ALL SUCH WARRANTIES ARE HEREBY EXPRESSLY DISCLAIMED. SKYWORKS DOES NOT WARRANT THE ACCURACY OR COMPLETENESS OF THE INFORMATION, TEXT, GRAPHICS OR OTHER ITEMS CONTAINED WITHIN THESE MATERIALS. SKYWORKS SHALL NOT BE LIABLE FOR ANY DAMAGES, INCLUDING BUT NOT LIMITED TO ANY SPECIAL, INDIRECT, INCIDENTAL, STATUTORY, OR CONSEQUENTIAL DAMAGES, INCLUDING WITHOUT LIMITATION, LOST REVENUES OR LOST PROFITS THAT MAY RESULT FROM THE USE OF THE MATERIALS OR INFORMATION, WHETHER OR NOT THE RECIPIENT OF MATERIALS HAS BEEN ADVISED OF THE POSSIBILITY OF SUCH DAMAGE.

Skyworks products are not intended for use in medical, lifesaving or life-sustaining applications, or other equipment in which the failure of the Skyworks products could lead to personal injury, death, physical or environmental damage. Skyworks customers using or selling Skyworks products for use in such applications do so at their own risk and agree to fully indemnify Skyworks for any damages resulting from such improper use or sale.

Customers are responsible for their products and applications using Skyworks products, which may deviate from published specifications as a result of design defects, errors, or operation of products outside of published parameters or design specifications. Customers should include design and operating safeguards to minimize these and other risks. Skyworks assumes no liability for applications assistance, customer product design, or damage to any equipment resulting from the use of Skyworks products outside of stated published specifications or parameters.

Skyworks and the Skyworks symbol are trademarks or registered trademarks of Skyworks Solutions, Inc., in the United States and other countries. Third-party brands and names are for identification purposes only, and are the property of their respective owners. Additional information, including relevant terms and conditions, posted at www.skyworksinc.com, are incorporated by reference.