

AAT3166 High Efficiency 1X/1.5X/2X Charge Pump for White LED Applications

General Description

The AAT3166 is a low noise, constant frequency charge pump DC/DC converter that uses a tri-mode load switch (1X), fractional (1.5X), and doubling (2X) conversion to maximize efficiency for white LED applications. The AAT3166 is capable of driving four LEDs for a total of 108mA from a 2.7V to 5.5V input. The current sinks may be operated individually or in parallel for driving higher-current LEDs. A low external parts count (two 1 μ F flying capacitors and two small 1 μ F capacitors at IN and OUTCP) make this part ideally suited for small, battery-powered applications.

Skyworks' AS²Cwire™ (Advanced Simple Serial Control) serial digital input is used to enable, disable, and set current for each LED with a 16-level logarithmic scale plus four low-current settings down to 115 μ A. For optimized efficiency, low-current settings require only 50 μ A of housekeeping current.

Each output of the AAT3166 is equipped with built-in protection for output short-circuit and auto-disable for load short-circuit condition. Built-in soft-start circuitry prevents excessive inrush current during start-up. A low-current shutdown feature disconnects the load from the input and reduces quiescent current to less than 1 μ A.

The AAT3166 is available in a Pb-free, space saving, 3x3mm TDFN33-12 package and is rated over the -40°C to +85°C temperature range.

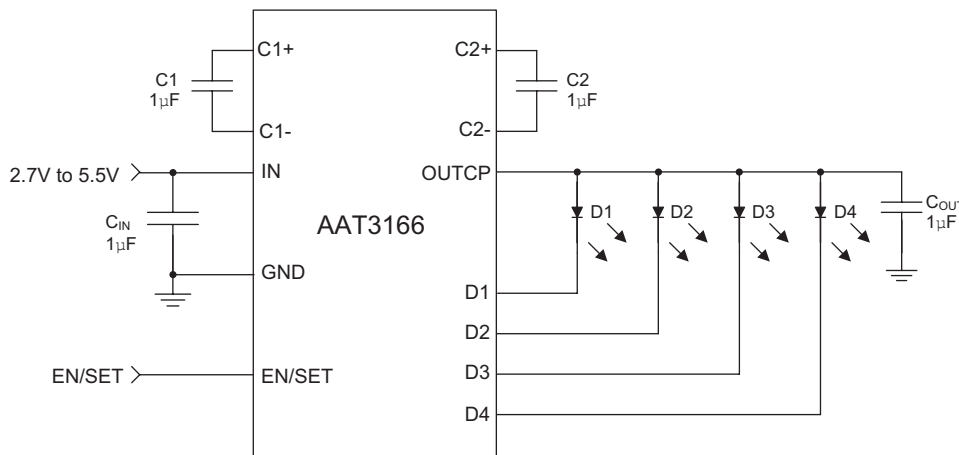
Features

- V_{IN} Range: 2.7V to 5.5V
- Fully Programmable Current with Single Wire
 - 16-Step Logarithmic Scale
 - 14/18/27mA Max Current
 - Four Low-Current Settings Down to 115 μ A
 - Low I_Q (50 μ A) for Single-Channel, Low-Current Mode
- Tri-Mode 1X, 1.5X, 2X Charge Pump for Maximum Efficiency and V_F Coverage
- Drives Up to Four LEDs
- Individual Main-Sub (3-1) Group Control
- No Inductors, Low Noise Operation
- 1MHz Constant Switching Frequency
- Small Application Circuit
- Built-In Thermal Protection
- Built-In Auto-Disable for Open Circuit
- Automatic Soft Start
- I_Q < 1 μ A in Shutdown
- TDFN33-12 Package

Applications

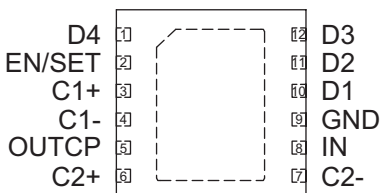
- Color (RGB) Lighting
- Programmable Current Sink
- Transmissive LCD Display
- White LED Backlighting
- White Photo Flash for Digital Still Cameras

Typical Application



AAT3166**AAT3166 High Efficiency 1X/1.5X/2X Charge Pump for White LED Applications****Pin Descriptions**

Pin #	Symbol	Function
1	D4	Current sink input #4.
2	EN/SET	AS ² Cwire serial interface control pin.
3	C1+	Flying capacitor 1 positive terminal. Connect a 1 μ F capacitor between C1+ and C1-.
4	C1-	Flying capacitor 1 negative terminal.
5	OUTCP	Charge pump output to drive load circuit. Requires 1 μ F capacitor connected between this pin and ground.
6	C2+	Flying capacitor 2 positive terminal. Connect a 1 μ F capacitor between C2+ and C2-.
7	C2-	Flying capacitor 2 negative terminal.
8	IN	Input power supply. Requires 1 μ F capacitor connected between this pin and ground.
9	GND	Ground.
10	D1	Current sink input #1.
11	D2	Current sink input #2.
12	D3	Current sink input #3.
EP		Exposed paddle; connect to ground as closely as possible to package.

Pin Configuration**TDFN33-12
(Top View)**

AAT3166 High Efficiency 1X/1.5X/2X Charge Pump for White LED Applications**Absolute Maximum Ratings¹**

Symbol	Description	Value	Units
V_{IN}	Input Voltage to GND	-0.3 to 6	V
$V_{EN/SET}$	EN/SET Voltage to GND	-0.3 to $V_{IN} + 0.3$	V
I_{OUT}^2	Maximum DC Output Current	150	mA
T_J	Operating Junction Temperature Range	-40 to 150	°C
T_{LEAD}	Maximum Soldering Temperature (at leads, 10 sec.)	300	°C

Thermal Information³

Symbol	Description	Value	Units
P_D	Maximum Power Dissipation ⁴	2.0	W
θ_{JA}	Maximum Thermal Resistance	50	°C/W

1. Stresses above those listed in Absolute Maximum Ratings may cause permanent damage to the device. Functional operation at conditions other than the operating conditions specified is not implied. Only one Absolute Maximum Rating should be applied at any one time.

2. Based on long-term current density limitation.

3. Mounted on an FR4 board.

4. Derate 20mW/°C above 25°C.

AAT3166 High Efficiency 1X/1.5X/2X Charge Pump for White LED Applications**Electrical Characteristics¹**

$C_{IN} = C_{OUT} = C_1 = C_2 = 1.0\mu\text{F}$; $T_A = -40^\circ\text{C}$ to $+85^\circ\text{C}$, unless otherwise noted. Typical values are at $T_A = 25^\circ\text{C}$, $V_{IN} = 3.6\text{V}$.

Symbol	Description	Conditions	Min	Typ	Max	Units
Input Power Supply						
V_{IN}	Operation Range		2.7		5.5	V
I_{CC}	Operating Current	1X Mode, $3.0 \leq V_{IN} \leq 5.5$, Active, No Load Current, High Current Mode		0.3		mA
		1.5X Mode, $3.0 \leq V_{IN} \leq 5.5$, Active, No Load Current, High Current Mode		1		
		2X Mode, $3.0 \leq V_{IN} \leq 5.5$, Active, No Load Current, High Current Mode		1		
		1X Mode, $3.0 \leq V_{IN} \leq 5.5$, Active, No Load Current, Low Current Mode		50		μA
I_{SHDN}	Shutdown Current	$V_{EN/SET} = 0\text{V}$			1	μA
I_{DX}	High Current Accuracy	$I_{SET} = 18\text{mA}$, $T_A = 25^\circ\text{C}$	-10		10	%
	Low Current Accuracy	$I_{SET} = 400\mu\text{A}$, $T_A = 25^\circ\text{C}$		15		%
$I_{(D-Match)}$	Current Matching ²	$V_F:D1:D4 = 3.6\text{V}$		0.5	1	%
V_{TH}	1X to 1.5X or 1.5X to 2X Transition Threshold at Any I_{SINK} Pin			150		mV
Charge Pump Section						
T_{SS}	Soft-Start Time			100		μs
F_{CLK}	Clock Frequency			1000		kHz
EN/SET						
$V_{EN(L)}$	Enable Threshold Low	$V_{IN} = 2.7\text{V}$			0.4	V
$V_{EN(H)}$	Enable Threshold High	$V_{IN} = 5.5\text{V}$	1.4			V
$T_{EN/SET LO}$	EN/SET Low Time		0.3		75	μs
$T_{EN/SET HI MIN}$	Minimum EN/SET High Time			50		ns
$T_{EN/SET HI MAX}$	Maximum EN/SET High Time				75	μs
T_{OFF}	EN/SET Off Timeout				500	μs
T_{LAT}	EN/SET Latch Timeout				500	μs
$I_{EN/SET}$	EN/SET Input Leakage		-1		1	μA

1. The AAT3166 is guaranteed to meet performance specifications over the -40°C to $+85^\circ\text{C}$ operating temperature range and is assured by design, characterization, and correlation with statistical process controls.

2. Current matching is defined as the deviation of any sink current from the average of all active channels.

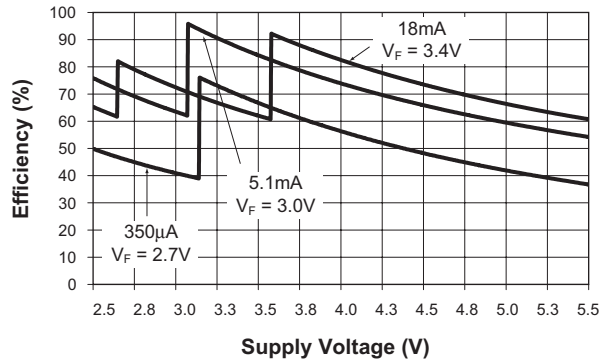
AAT3166

AAT3166 High Efficiency 1X/1.5X/2X Charge Pump for White LED Applications

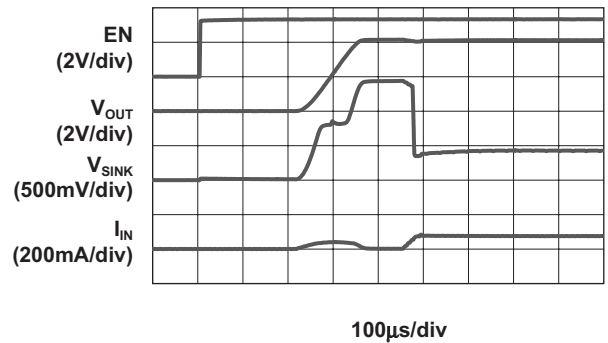
Typical Characteristics

Unless otherwise noted, $V_{IN} = 3.5V$, $C_{IN} = C_{OUT} = C_1 = C_2 = 1\mu F$, $T_A = 25^\circ C$.

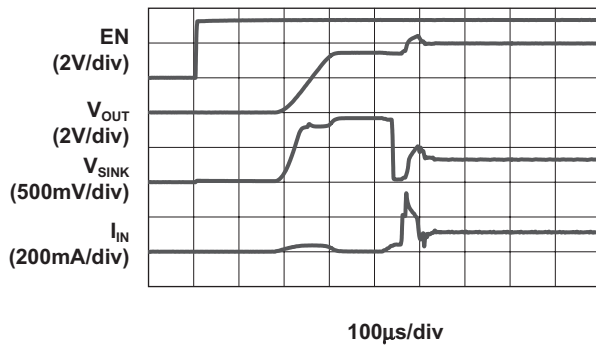
Efficiency vs. Supply Voltage



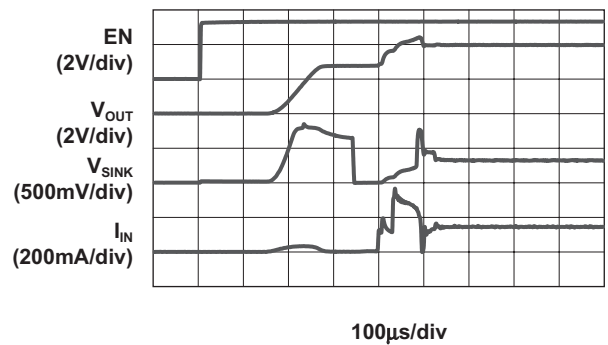
Turn-On to 1X Mode
($V_{IN} = 4.2V$; 18mA Load)



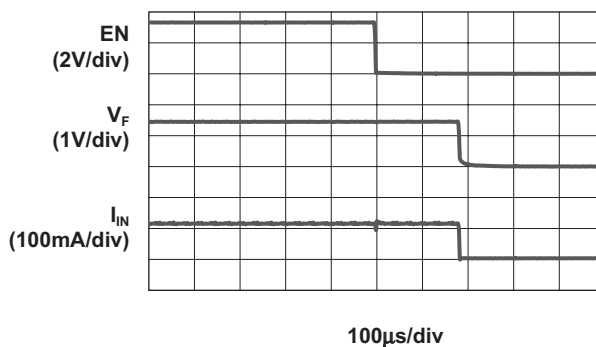
Turn-On to 1.5X Mode
($V_{IN} = 3.5V$; 18mA Load)



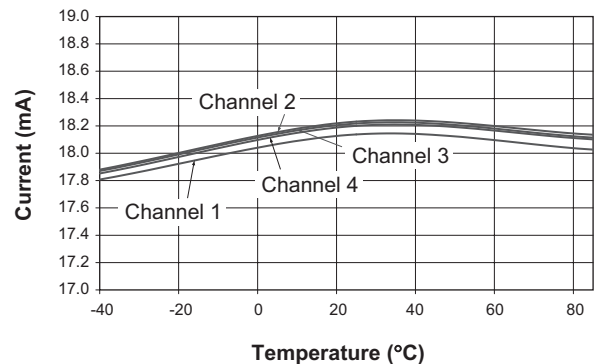
Turn-On to 2X Mode
($V_{IN} = 2.8V$; 18mA Load)



Turn-Off from 1.5X Mode
($V_{IN} = 3.5V$; 18mA Load)



Current Matching vs. Temperature



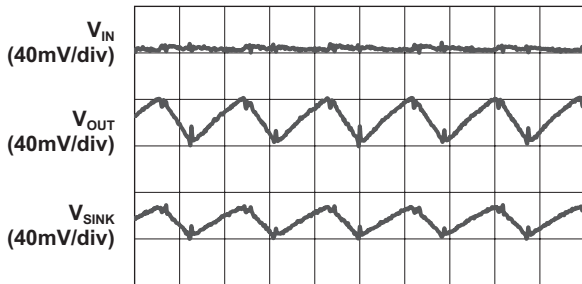
AAT3166

AAT3166 High Efficiency 1X/1.5X/2X Charge Pump for White LED Applications

Typical Characteristics

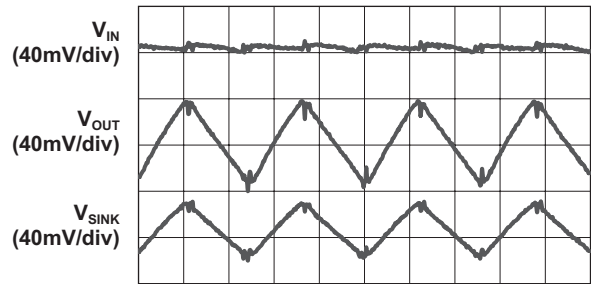
Unless otherwise noted, $V_{IN} = 3.5V$, $C_{IN} = C_{OUT} = C_1 = C_2 = 1\mu F$, $T_A = 25^\circ C$.

Load Characteristics
($V_{IN} = 3.8V$; 1.5X Mode; 18mA Load)



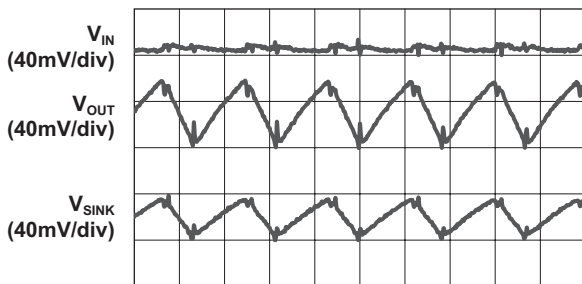
500ns/div

Load Characteristics
($V_{IN} = 2.8V$; 2X Mode; 18mA Load)



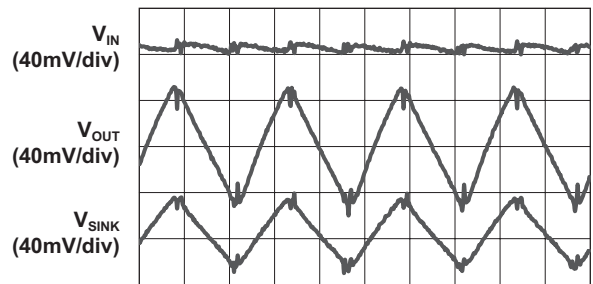
500ns/div

Load Characteristics
($V_{IN} = 4.1V$; 1.5X Mode; 27mA Load)



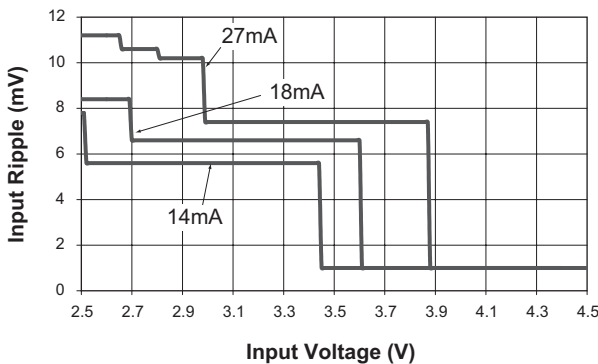
500ns/div

Load Characteristics
($V_{IN} = 3.2V$; 2X Mode; 27mA Load)



500ns/div

Input Ripple vs. Input Voltage



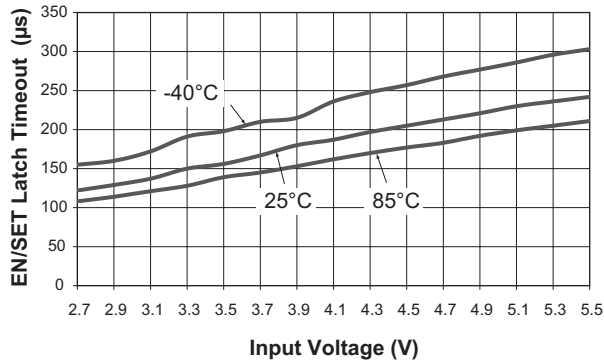
AAT3166

AAT3166 High Efficiency 1X/1.5X/2X Charge Pump for White LED Applications

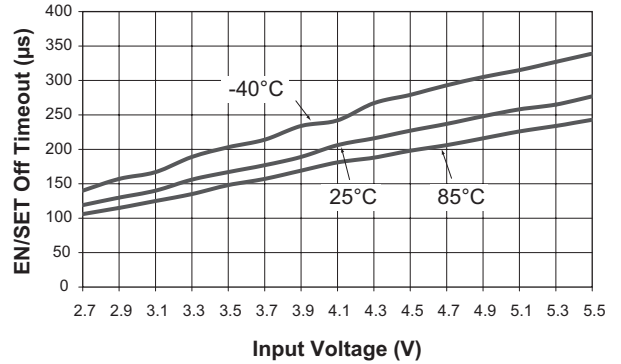
Typical Characteristics

Unless otherwise noted, $V_{IN} = 3.5V$, $C_{IN} = C_{OUT} = C_1 = C_2 = 1\mu F$, $T_A = 25^\circ C$.

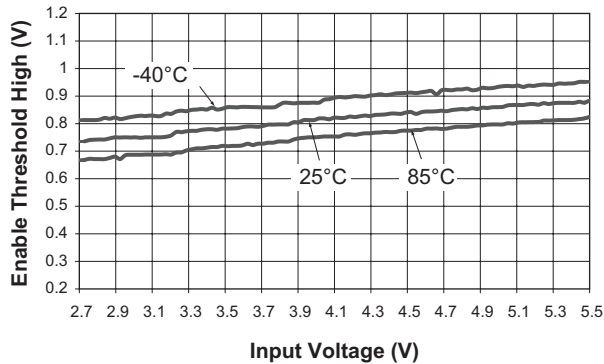
EN/SET Latch Timeout vs. Input Voltage



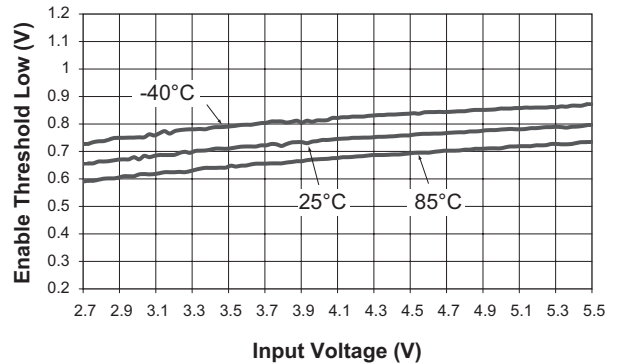
EN/SET Off Timeout vs. Input Voltage

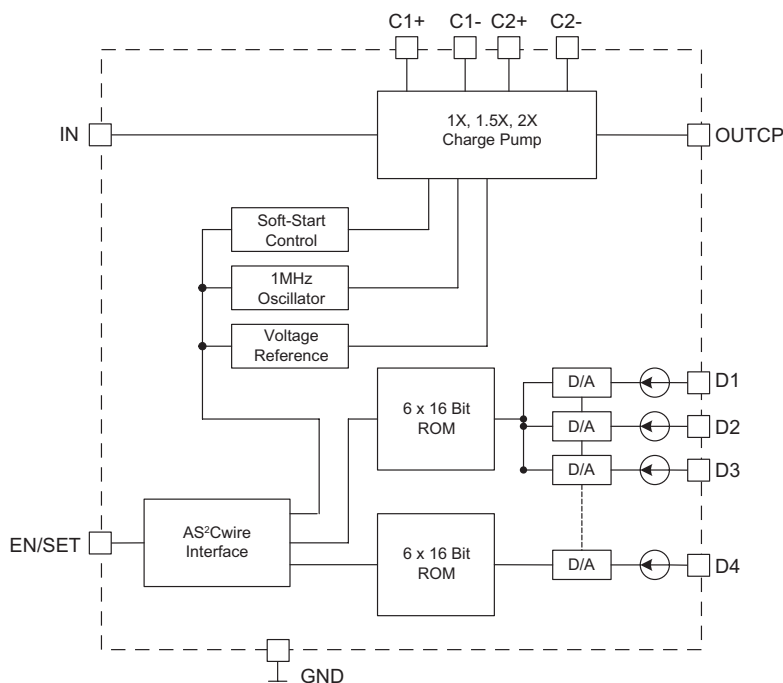


Enable Threshold High vs. Input Voltage



Enable Threshold Low vs. Input Voltage



AAT3166 High Efficiency 1X/1.5X/2X Charge Pump for White LED Applications**Functional Block Diagram****Functional Description**

The AAT3166 is a tri-mode load switch (1X) and high efficiency (1.5X or 2X) charge pump device intended for white LED backlight applications. To maximize power conversion efficiency, an internal sensing circuit monitors the voltage required on each constant current sink input and sets the load switch and charge pump modes based on the input battery voltage and the current sink input voltage. As the battery discharges over time, the AAT3166 charge pump is enabled when any of the four current sink inputs near dropout. The charge pump initially starts in 1.5X mode. If the charge pump output drops enough for any current source output to become close to dropout, the charge pump will automatically transition to 2X mode. The AAT3166 requires only four external components: two $1\mu\text{F}$ ceramic capacitors for the charge pump flying capacitors (C1 and C2), one $1\mu\text{F}$ ceramic input capacitor (C_{IN}), and one $0.33\mu\text{F}$ to $1\mu\text{F}$ ceramic charge pump output capacitor (C_{OUT}).

The four constant current sink inputs (D1 to D4) can drive four individual LEDs with a maximum current of 27mA nominal each. Unused sink inputs should be connected to OUTCP, otherwise the part will operate only in 2X charge pump mode. The AS²Cwire serial interface enables the AAT3166 and sets the current sink magni-

tudes. AS²Cwire addressing allows independent control of two groups of current sink input: D1~D3 and D4.

Constant Current Output Level Settings

The constant current sink levels for D1 to D4 are set via the serial interface according to a logarithmic scale where each code is approximately 1.8dB lower than the previous code. In this manner, LED brightness appears linear with each increasing code count. Because the inputs D1 to D4 are true independent constant current sinks, the voltage observed on any single given input will be determined by the actual forward voltage (V_F) for the LED being driven.

Since the input current sinks of the AAT3166 are programmable, no PWM (pulse width modulation) or additional control circuitry is needed to control LED brightness. This feature greatly reduces the burden on a microcontroller or system IC to manage LED or display brightness, allowing the user to "set it and forget it." With its high-speed serial interface (1MHz data rate), the input sink current of the AAT3166 can be changed successively to brighten or dim LEDs in smooth transitions (e.g., to fade-out) or in abrupt steps, giving the user complete programmability and real-time control of LED brightness.

AAT3166 High Efficiency 1X/1.5X/2X Charge Pump for White LED Applications

The 16 individual current level settings are each approximately 1.8dB apart (see Table 1). Code 1 is full scale; Code 15 is full scale attenuated by approximately 25dB; and Code 16 is reserved as a “no current” setting.

Data	27mA Max I _{OUT} (mA)	18mA Max I _{OUT} (mA)	14mA Max I _{OUT} (mA)
1	27	18	14
2	22	15	11
3	18	12	8.8
4	14	10	7.1
5	12	7.9	6.0
6	10	6.3	4.8
7	8	5.1	3.8
8	6.2	4.1	3.1
9	5.2	3.5	2.6
10	4.3	2.9	2.1
11	3.3	2.2	1.7
12	2.9	1.9	1.4
13	2.4	1.6	1.2
14	1.9	1.3	1.0
15	1.4	1.0	0.7
16	0	0	0

Table 1: Current Level Settings.

AS²Cwire Serial Interface

The current sink input magnitude of the AAT3166 is controlled by Skyworks' Advanced Simple Serial Control (AS²Cwire) serial digital input. AS²Cwire adds addressing capability for multiple data registers over the Simple Serial Control™ (S²Cwire™), which is capable of controlling only a single register. The AAT3166 has four registers: Bank1, Bank2, Max Current, and Low Current.

Three addresses are used to control the two registers. Address 0 addresses both registers simultaneously to allow the loading of both registers with the same data using a single write protocol. Address 1 addresses Register 1 for D1 to D3 current level settings. Address 2 addresses Register 2 for D4 current level settings.

AS²Cwire relies on the number of rising edges of the EN/SET pin to address and load the registers. AS²Cwire latches data or address after the EN/SET pin has been held high for time T_{LAT}. Address or data is differentiated by the number of EN/SET rising edges. Since the data registers are 4 bits each, the differentiating number of pulses is 24 or 16, so that Address 0 is signified by 17 rising edges, Address 1 by 18 rising edges, and Address 2 by 19 rising edges. Data is set to any number of rising edges between 1 and including 16. A typical write protocol is a burst of EN/SET rising edges signifying a particu-

lar address, followed by a pause with EN/SET held high for the T_{LAT} timeout period, a burst of rising edges signifying data, and a T_{LAT} timeout for the data registers. Once an address is set, then multiple writes consisting of data only (without address) to the corresponding data register are allowed. Address 0 is the default address on the first rising edge after the AAT3166 has been disabled. If data is presented on the first rising edge with no prior address, both data registers are simultaneously loaded.

The maximum current level is determined by the value set in Register 3, the Max Current register. Three scales are available for high operating currents with maximum current levels of 27mA, 18mA, or 14mA. Each scale maintains approximately 1.8dB steps between settings. A separate mode is available for ultra-low LED current operation. When the Max Current register (Register 3) is set to the Low Current setting, the Low Current register (Register 4) must be programmed. The two most significant bits of the Low Current register control whether or not a given bank of current sinks is enabled. The least two significant bits of the Low Current register set the current level for both banks. For low current settings, the charge pump may be enabled if required by the battery voltage and LED forward voltage conditions, and 1X mode quiescent current is approximately 100µA for multiple channels or 50µA for Channel 4 operation only. Both banks of current sinks must be in the same high or low current mode of operation.

When EN/SET is held low for an amount of time greater than T_{OFF}, the AAT3166 enters shutdown mode and draws less than 1µA from V_{IN}. Data and Address registers are reset to 0 during shutdown.

AS²Cwire Serial Interface Addressing

Address	EN/SET Rising Edges	Data Register AAT3166
0	17	1&2: D1~D4 Current
1	18	1: D1~D3 Current
2	19	2: D4 Current
3	20	3: Max Current
4	21	4: Low Current

Data	Max Current
1	18mA
2	27mA
3	14mA
4	Low Current (see Low Current Register for values)

AAT3166 High Efficiency 1X/1.5X/2X Charge Pump for White LED Applications**Low Current Register (Address 4)**

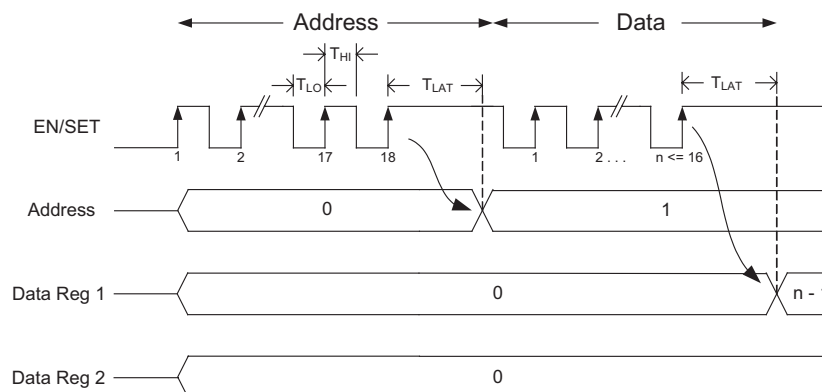
Data	Main Low Current On	Sub Low Current On	Current
1	No	No	
2	No	No	
3	No	No	
4	No	No	
5	No	Yes	115 μ A
6	No	Yes	175 μ A
7	No	Yes	280 μ A
8	No	Yes	400 μ A
9	Yes	No	115 μ A
10	Yes	No	175 μ A
11	Yes	No	280 μ A
12	Yes	No	400 μ A
13	Yes	Yes	115 μ A
14	Yes	Yes	175 μ A
15	Yes	Yes	280 μ A
16	Yes	Yes	400 μ A

Auto-Disable Feature

The AAT3166 is equipped with an auto-disable feature for each LED channel. After the IC is enabled and started up, a test current of 120 μ A (typical) is forced through each sink channel. The channel will be disabled if the voltage of that particular SINK pin does not drop to a certain threshold. This feature is very convenient for disabling an unused channel or during an LED fail-short event.

Thermal Protection

The AAT3166 has a built-in thermal protection circuit that will shut down the charge pump if the die temperature rises above the thermal limit, as would be the case during a short circuit of the OUTCP pin.

AS²Cwire Serial Interface Timing**Applications Information****LED Selection**

Although the AAT3166 is designed for driving white LEDs, the device also can be used to drive most types of LEDs with forward voltage specifications ranging from 2.0V to 4.7V. LED applications may include main and sub-LCD display backlighting, camera photo-flash applications, color (RGB) LEDs, infrared (IR) diodes for remotes, and other loads benefiting from a controlled output current generated from a varying input voltage. Since the D1 to D4 input current sinks are matched with negligible voltage dependence, the LED brightness will be matched regardless of the specific LED forward voltage (V_F) levels.

In some instances (e.g., in high-luminous-output applications such as photo flash), it may be necessary to drive high- V_F type LEDs. The low-dropout current sinks in the AAT3166 make it capable of driving LEDs with forward voltages as high as 4.7V at full current from an input supply as low as 3.0V. Outputs can be paralleled to drive high-current LEDs without complication.

Device Switching Noise Performance

The AAT3166 operates at a fixed frequency of approximately 1MHz to control noise and limit harmonics that can interfere with the RF operation of cellular telephone handsets or other communication devices. Back-injected noise appearing on the input pin of the charge pump is 20mV peak-to-peak, typically ten times less than inductor-based DC/DC boost converter white LED backlight solutions. The AAT3166 soft-start feature prevents noise transient effects associated with inrush currents during start-up of the charge pump circuit.

AAT3166 High Efficiency 1X/1.5X/2X Charge Pump for White LED Applications**Capacitor Selection**

Careful selection of the four external capacitors (C_{IN} , C_1 , C_2 , C_{OUT}) is important because they will affect turn-on time, output ripple, and transient performance. Optimum performance will be obtained when low Equivalent Series Resistance (ESR) ceramic capacitors are used; in general, low ESR may be defined as less than 100m Ω . A value of 1 μ F for all four capacitors is a good starting point when choosing capacitors. If the LED current sources are programmed only for light current levels, then the capacitor size may be decreased.

Capacitor Characteristics

Ceramic composition capacitors are highly recommended over all other types of capacitors for use with the AAT3166. Ceramic capacitors offer many advantages over their tantalum and aluminum electrolytic counterparts. A ceramic capacitor typically has very low ESR, is lowest cost, has a smaller PCB footprint, and is non-polarized. Low ESR ceramic capacitors help maximize charge pump transient response. Since ceramic capacitors are non-polarized, they are not prone to incorrect connection damage.

Equivalent Series Resistance

ESR is an important characteristic to consider when selecting a capacitor. ESR is resistance internal to a capacitor that is caused by the leads, internal connections, size or area, material composition, and ambient temperature. Capacitor ESR is typically measured in milliohms for ceramic capacitors and can range to more than several ohms for tantalum or aluminum electrolytic capacitors.

Ceramic Capacitor Materials

Ceramic capacitors less than 0.1 μ F are typically made from NPO or C0G materials. NPO and C0G materials generally have tight tolerance and are very stable over temperature. Larger capacitor values are usually composed of X7R, X5R, Z5U, or Y5V dielectric materials. Large ceramic capacitors (i.e., greater than 2.2 μ F) are often available in low-cost Y5V and Z5U dielectrics, but capacitors greater than 1 μ F are not typically required for AAT3166 applications.

Capacitor area is another contributor to ESR. Capacitors that are physically large will have a lower ESR when compared to an equivalent material smaller capacitor. These larger devices can improve circuit transient response when compared to an equal value capacitor in a smaller package size.

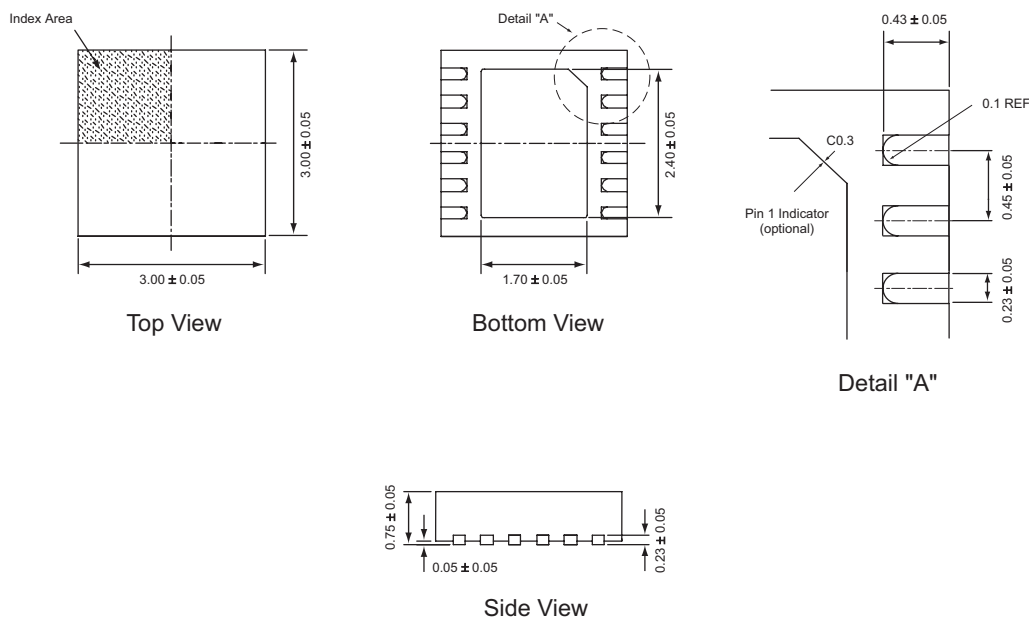
AAT3166 High Efficiency 1X/1.5X/2X Charge Pump for White LED Applications**Ordering Information**

Package	Marking ¹	Part Number (Tape and Reel) ²
TDFN33-12	PXXYY	AAT3166IWP-T1



Skyworks Green™ products are compliant with all applicable legislation and are halogen-free.

For additional information, refer to *Skyworks Definition of Green™*, document number SQ04-0074.

Package Information**TDFN33-12³**

All dimensions in millimeters.

1. XYY = assembly and date code.
2. Sample stock is generally held on part numbers listed in **BOLD**.
3. The leadless package family, which includes QFN, TQFN, DFN, TDFN and STDFN, has exposed copper (unplated) at the end of the lead terminals due to the manufacturing process. A solder fillet at the exposed copper edge cannot be guaranteed and is not required to ensure a proper bottom solder connection.

Copyright © 2012 Skyworks Solutions, Inc. All Rights Reserved.

Information in this document is provided in connection with Skyworks Solutions, Inc. ("Skyworks") products or services. These materials, including the information contained herein, are provided by Skyworks as a service to its customers and may be used for informational purposes only by the customer. Skyworks assumes no responsibility for errors or omissions in these materials or the information contained herein. Skyworks may change its documentation, products, services, specifications or product descriptions at any time, without notice. Skyworks makes no commitment to update the materials or information and shall have no responsibility whatsoever for conflicts, incompatibilities, or other difficulties arising from any future changes.

No license, whether express, implied, by estoppel or otherwise, is granted to any intellectual property rights by this document. Skyworks assumes no liability for any materials, products or information provided hereunder, including the sale, distribution, reproduction or use of Skyworks products, information or materials, except as may be provided in Skyworks Terms and Conditions of Sale.

THE MATERIALS, PRODUCTS AND INFORMATION ARE PROVIDED "AS IS" WITHOUT WARRANTY OF ANY KIND, WHETHER EXPRESS, IMPLIED, STATUTORY, OR OTHERWISE, INCLUDING FITNESS FOR A PARTICULAR PURPOSE OR USE, MERCHANTABILITY, PERFORMANCE, QUALITY OR NON-INFRINGEMENT OF ANY INTELLECTUAL PROPERTY RIGHT; ALL SUCH WARRANTIES ARE HEREBY EXPRESSLY DISCLAIMED. SKYWORKS DOES NOT WARRANT THE ACCURACY OR COMPLETENESS OF THE INFORMATION, TEXT, GRAPHICS OR OTHER ITEMS CONTAINED WITHIN THESE MATERIALS. SKYWORKS SHALL NOT BE LIABLE FOR ANY DAMAGES, INCLUDING BUT NOT LIMITED TO ANY SPECIAL, INDIRECT, INCIDENTAL, STATUTORY, OR CONSEQUENTIAL DAMAGES, INCLUDING WITHOUT LIMITATION, LOST REVENUES OR LOST PROFITS THAT MAY RESULT FROM THE USE OF THE MATERIALS OR INFORMATION, WHETHER OR NOT THE RECIPIENT OF MATERIALS HAS BEEN ADVISED OF THE POSSIBILITY OF SUCH DAMAGE.

Skyworks products are not intended for use in medical, lifesaving or life-sustaining applications, or other equipment in which the failure of the Skyworks products could lead to personal injury, death, physical or environmental damage. Skyworks customers using or selling Skyworks products for use in such applications do so at their own risk and agree to fully indemnify Skyworks for any damages resulting from such improper use or sale.

Customers are responsible for their products and applications using Skyworks products, which may deviate from published specifications as a result of design defects, errors, or operation of products outside of published parameters or design specifications. Customers should include design and operating safeguards to minimize these and other risks. Skyworks assumes no liability for applications assistance, customer product design, or damage to any equipment resulting from the use of Skyworks products outside of stated published specifications or parameters.

Skyworks, the Skyworks symbol, and "Breakthrough Simplicity" are trademarks or registered trademarks of Skyworks Solutions, Inc., in the United States and other countries. Third-party brands and names are for identification purposes only, and are the property of their respective owners. Additional information, including relevant terms and conditions, posted at www.skyworksinc.com, are incorporated by reference.