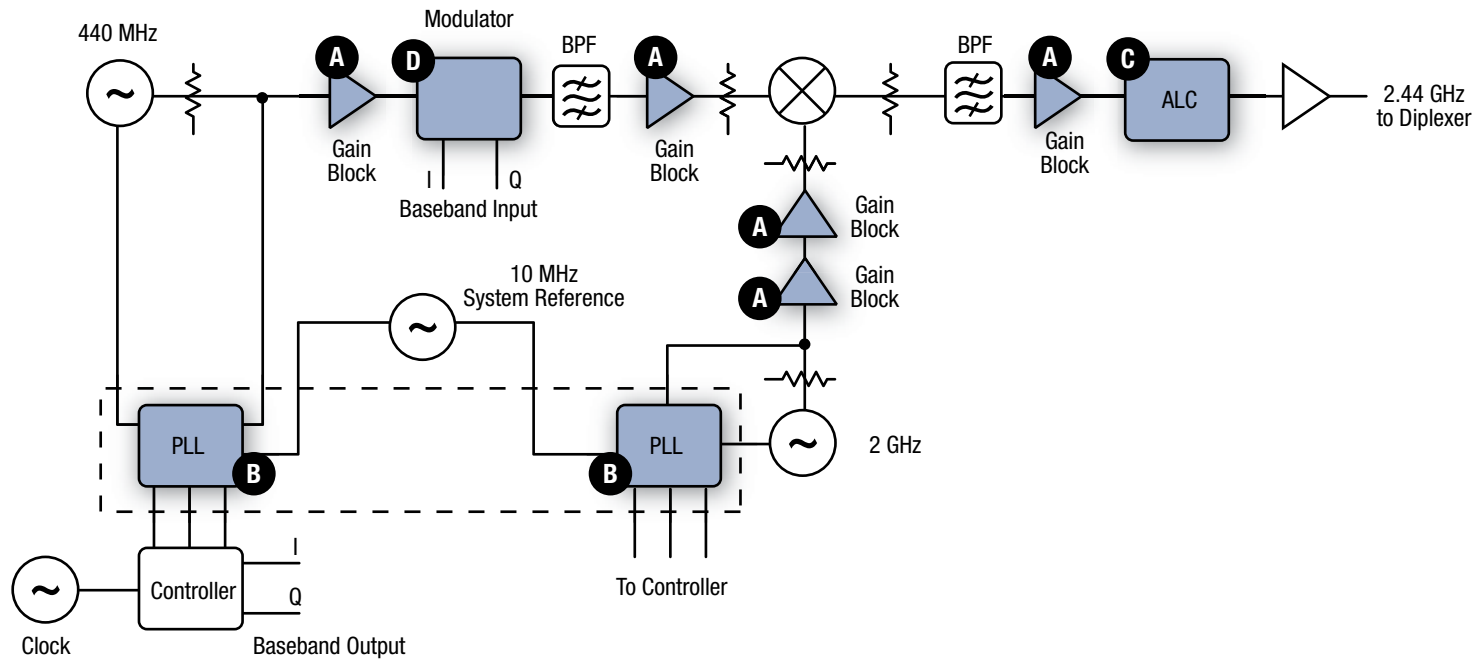


# RF ID Transmitter

Part numbers link to product information



## Amplifiers

- A** SKY65013
- SKY65014
- SKY65015
- SKY65016

## Synthesizers/PLLs

- B** SKY72300-21
- SKY72302-21
- SKY73100
- SKY73112-11
- SKY74038-21

## Attenuators

- C** SKY12322-86LF
- SKY12323-303LF
- SKY12324-73LF
- SKY12325-350LF
- SKY12328-350LF
- SKY12329-350LF
- SKY12345-362LF
- SKY12406-360LF

## Direct Quadrature Modulator

- D** SKY73010-21