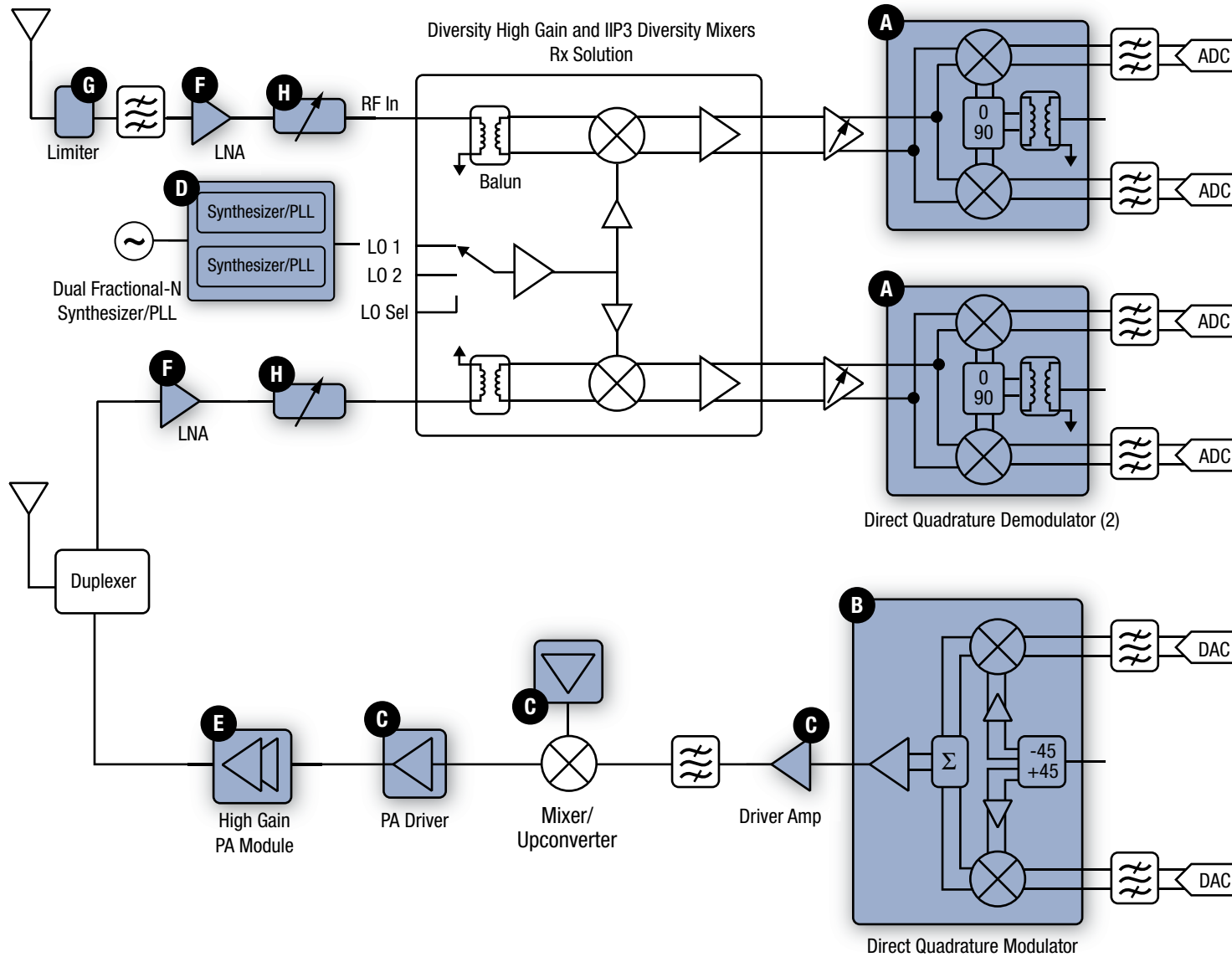


# Transceiver

Part numbers link to product information



## Direct Quadrature Demodulators

- A** SKY73009  
SKY73012

## Direct Quadrature Modulators

- B** SKY73077-459LF  
SKY73078-459LF  
SKY73092-459LF

## Amplifiers

- C** SKY65009-70LF  
SKY65013  
SKY65014  
SKY65015  
SKY65016  
SKY65017-70LF
- SKY65045-70LF  
SKY65080-70LF  
SKY65081-70LF  
SKY65161-70LF  
SKY65162-70LF

## Synthesizers/PLLs

- D** SKY72300-21  
SKY72302-21  
SKY72310-362LF  
SKY73100  
SKY73101-11
- SKY73103-11  
SKY73112-11  
SKY73126-31  
SKY74038-21

## High Gain PA Modules

- E** SKY65120  
SKY65124
- SKY65126-21  
SKY65127

## Low Noise Amplifiers

- F** SKY65045-70LF  
SKY65080-70LF  
SKY65081-70LF  
SKY65161-70LF  
SKY65162-70LF
- SKY67001-396LF  
SKY67002-396LF  
SKY67003-396LF  
SKY67100-396LF  
SKY67101-396LF  
SKY67102-396LF

## Limiters

- G** CLA4601  
CLA4602  
CLA4603  
CLA4604  
CLA4605
- CLA4606  
CLA4607  
CLA4608  
CLA4609  
SMP1330-007LF

## RF Attenuators

- H** **Digital**  
SKY12329-350LF  
SKY12339-350LF  
SKY12340-364LF  
SKY12343-364LF  
SKY12345-362LF  
SKY12347-362LF
- Voltage Variable**  
AV101-12LF  
AV102-12LF  
AV111-12LF  
AV113-12LF
- PIN Diodes**  
SMP1304 Series  
SMP1307 Series