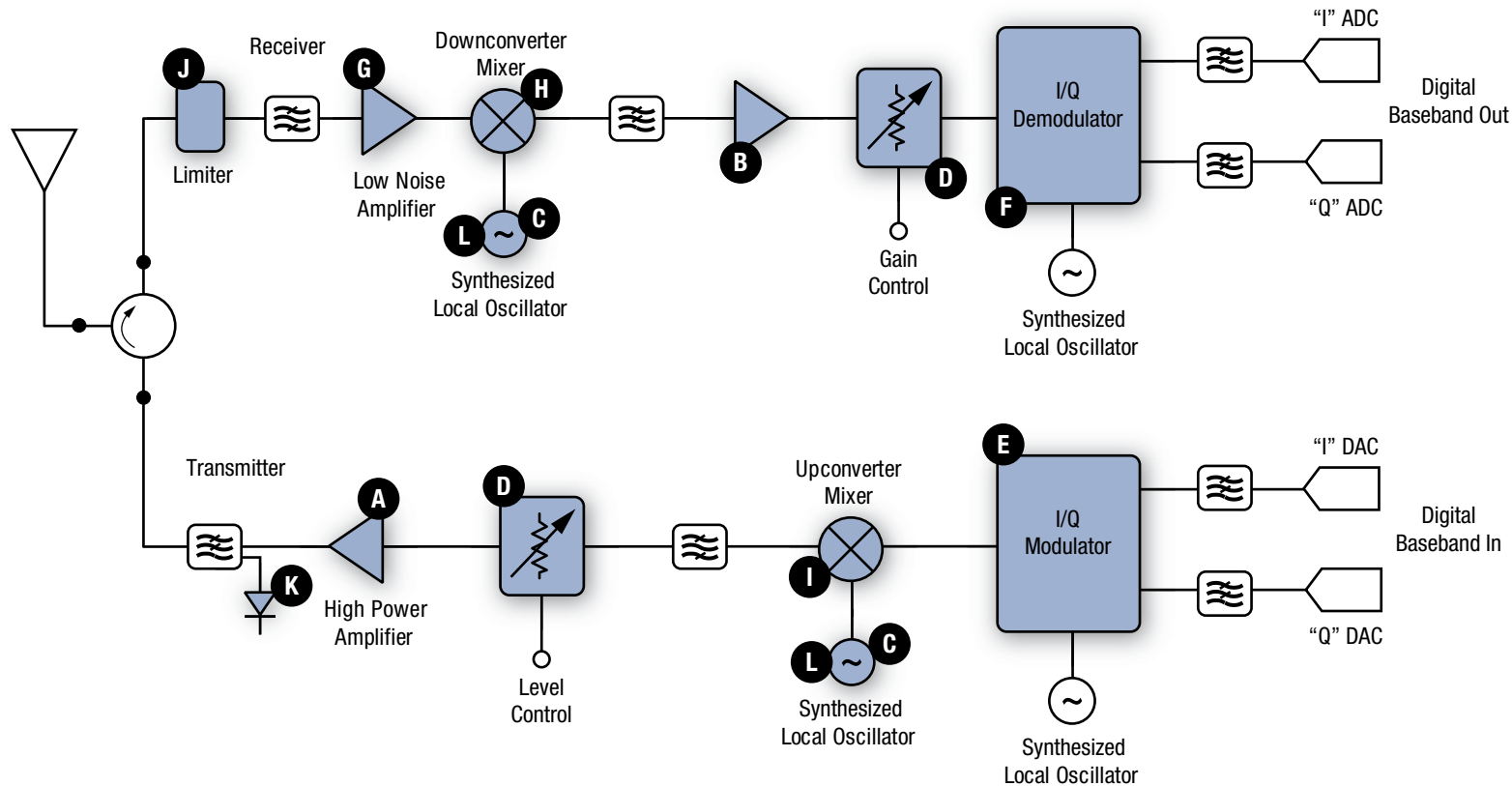


Transceiver (Simplified)

Part numbers link to product information



Amplifiers

- A** SKY65111-348LF
- B** SKY65013
SKY65014
SKY65015
SKY65016

Synthesizers/PLLs

- C** SKY72300-21
SKY72302-21
SKY74038-21

RF Attenuators

- D** **Digital**
SKY12329-350LF
SKY12339-350LF
SKY12340-364LF
SKY12343-364LF
SKY12345-362LF
SKY12347-362LF

Voltage Variable

- AV101-12LF
AV102-12LF
AV111-12LF
AV113-12LF

PIN Diodes

- SMP1304 Series
SMP1307 Series

Direct Quadrature Modulators

- E** SKY73077-459LF
SKY73078-459LF
SKY73092-459LF

Direct Quadrature Demodulators

- F** SKY73009
SKY73012

Low Noise Amplifiers

- G** SKY65066-306LF
SKY67014-396LF
SKY67100-396LF
SKY67101-396LF

Down-Conversion Mixers

- H** SKY73032-11
SKY73033-11
SKY73035-11
SKY73062
SKY73063
SKY73069-11
SKY73070

Up-Conversion Mixers

- I** SKY73062-11
SKY73063
SKY73069-11

Limiter Diodes

- J** CLA4601
CLA4602
CLA4603
CLA4604
CLA4605
CLA4606
CLA4607
CLA4608
CLA4609
SMP1330-007LF

Schottky Diodes

- K** SMS3922 Series
SMS7621-040LF
SMS7330-040LF

Varactor Diodes

- L** SMV1145 Series
SMV121X Series
SMV124X Series
SMV125X Series
SMV1263 Series
SMV1269 Series
SMV1763-079LF
SMV1770-079LF
SMV1771-079LF