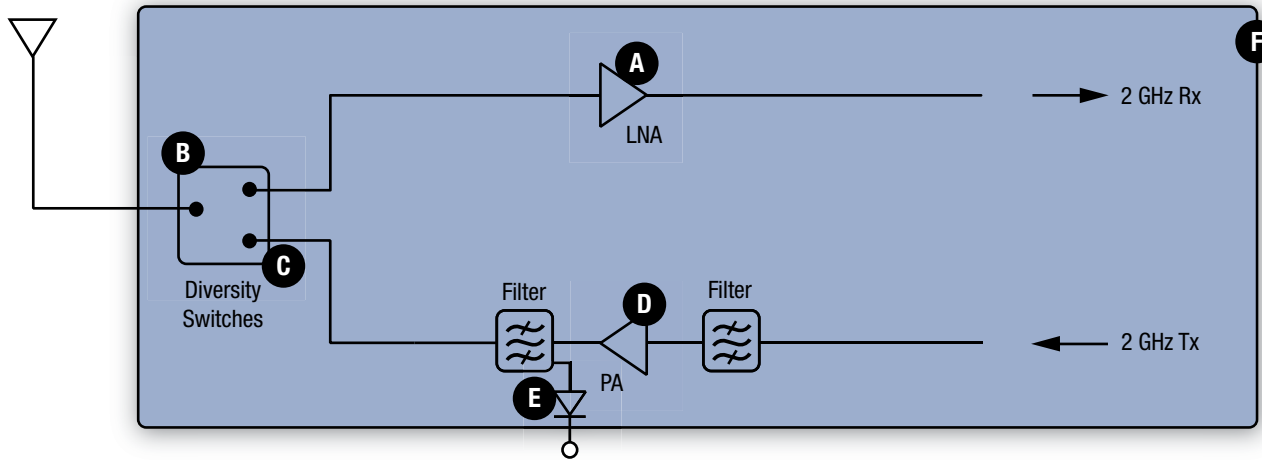


# Wireless LAN Front-End for 802.11b,g,n Single-Band Access Point Applications, Single Antenna Configurations

Part numbers link to product information



## Low Noise Amplifiers

- A** SE5008L-R
- SKY65047-360LF
- SKY65405-21
- SKY67014-396LF

## Switches

- B** AS179-92LF
- AS236-321LF
- SKY13276-334
- SKY13314-374LF
- SKY13323-378LF
- SKY13344-378LF
- SKY13348-374LF
- SKY13350-385LF
- SKY13351-378LF
- SKY13366-378LF
- SKY13370-374LF
- SKY13377-313LF

## PIN Diodes

- C** SMP1340-079LF
- SMP1345-040LF

## Power Amplifiers

- D** SE2537L-R
- SE2567L-R
- SE5003L-R
- SE5004L-R
- SE5005L-R
- SKY65006-348LF
- SKY65132
- SKY65135
- SKY65152-11
- SKY65174-11

## Detectors

- E** DD02-999LF
- SMS3922-040LF
- SMS3922 Series
- SMS7621-040LF
- SMS7621-060
- SMS7621-079LF
- SMS7630-040LF
- SMS7630-061
- SMS7630-079LF

## Front-End Modules

- F** SE5006L-R
- SE5007BT-R
- SE5007T-R
- SE5012T-R
- SKY65249-11
- SKY65296-11