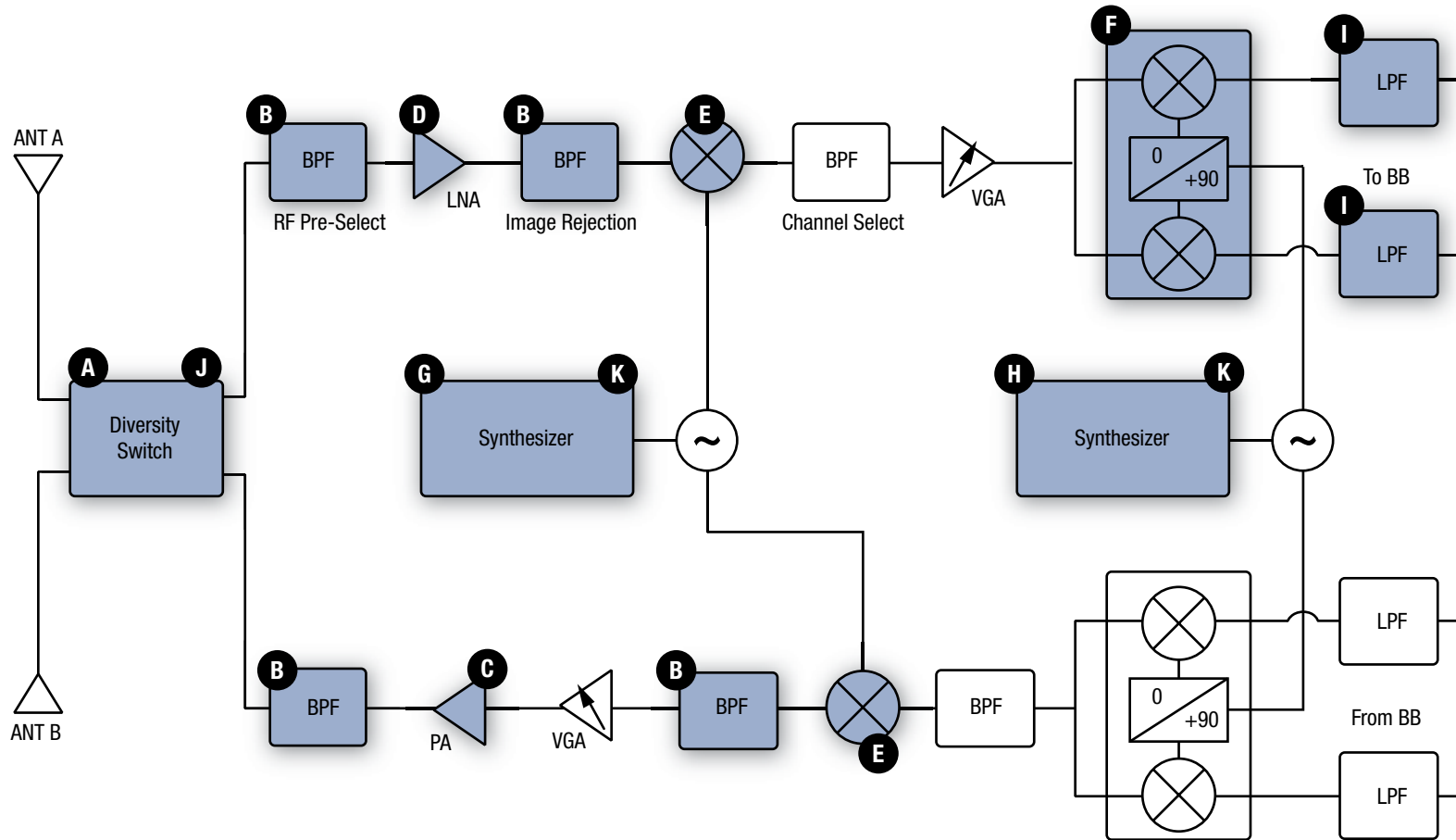


# 2.4 GHz Superheterodyne Architecture

Part numbers link to product information



## Switches

- A** AS218-321LF
- AS236-321LF
- SKY13267-321LF
- SKY13290-313LF
- SKY13306-313LF
- SKY13318-321LF
- SKY13344-378LF
- SKY13355-374LF

## Filters

- B** Ceramic Band Pass Filter

## Power Amplifiers

- C** SKY65013 SKY65131
- SKY65014 SKY65132
- SKY65015 SKY65135
- SKY65016 SKY65152
- SKY65017 SKY65162
- SKY65165

## Low Noise Amplifiers

- D** SKY65047
- SKY67014-396LF

## Mixers

- E** SKY73025
- SKY73035

## Quadrature Demodulators

- F** SKY73009
- SKY73012

## Synthesizers/PLLs

- G** SKY72302-21
- H** SKY72302-21
- SKY72310-362LF

## Programmable Low Pass Filters

- I** SKY73201-364LF
- SKY73202-364LF

## PIN Diodes

- J** SMP1320 Series
- SMP1340 Series
- SMP1345 Series
- SMP1352 Series

## Varactor Diodes

- K** SMV1145 Series
- SMV1247 Series
- SMV1249 Series
- SMV1255 Series
- SMV1405 Series