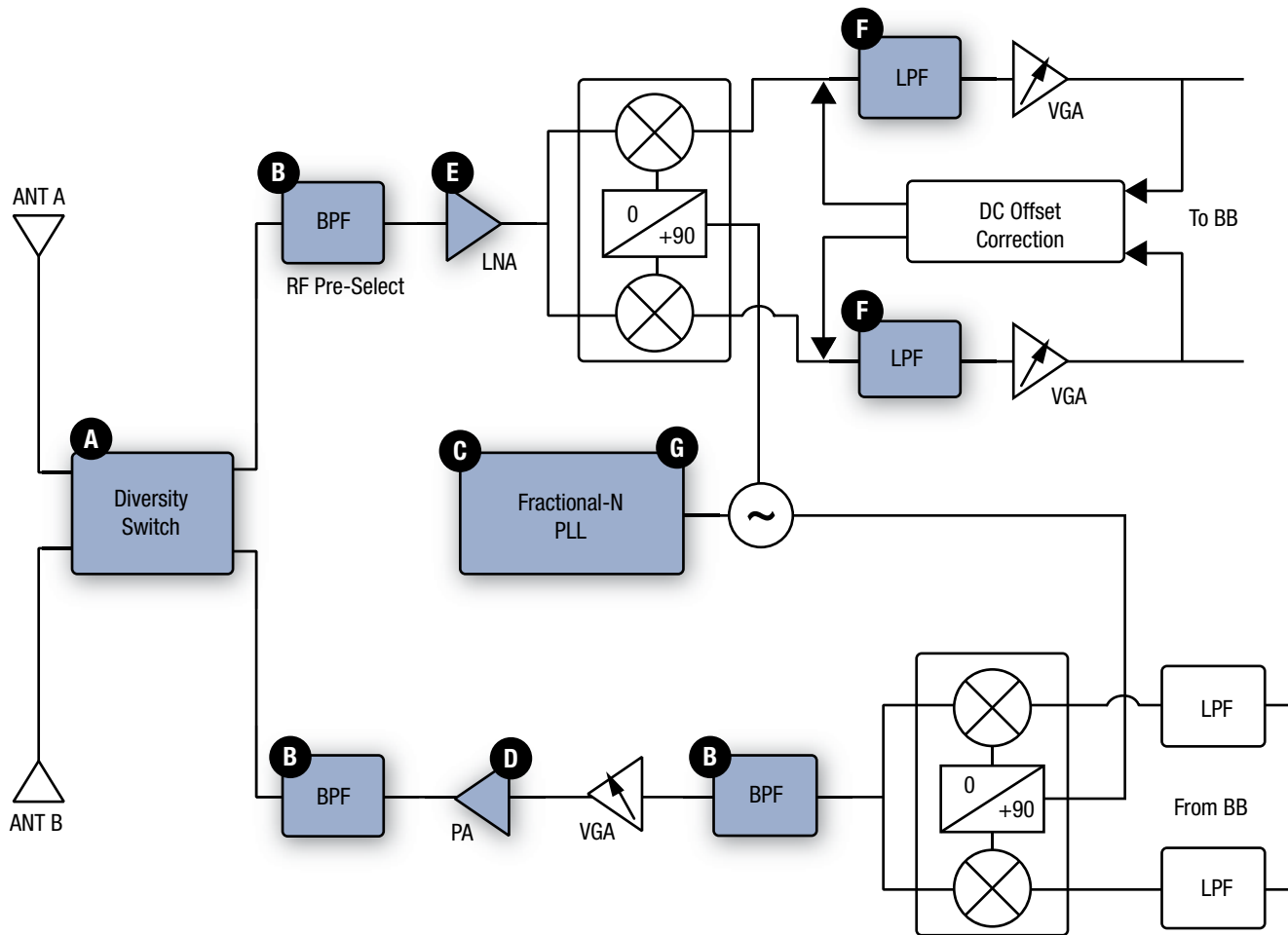


5.8 GHz Direct Conversion Architecture

Part numbers link to product information



Switches

- A** AS236-321LF
- SKY13306-313LF
- SKY13314-374LF
- SKY13317-374LF
- SKY13344-378LF
- SKY13350-385LF
- SKY13351-378LF

Filters

- B** Ceramic Band Pass Filter

Synthesizer/PLL

- C** SKY72302-21

Varactor Diodes

- G** SMV1145 Series
- SMV1247 Series
- SMV1249 Series
- SMV1255 Series
- SMV1405 Series

Power Amplifiers

- D** SKY65013
- SKY65014
- SKY65015
- SKY65017
- SKY65137

Low Noise Amplifier

- E** SKY65404-31

Programmable Low Pass Filters

- F** SKY73201-364LF
- SKY73202-364LF