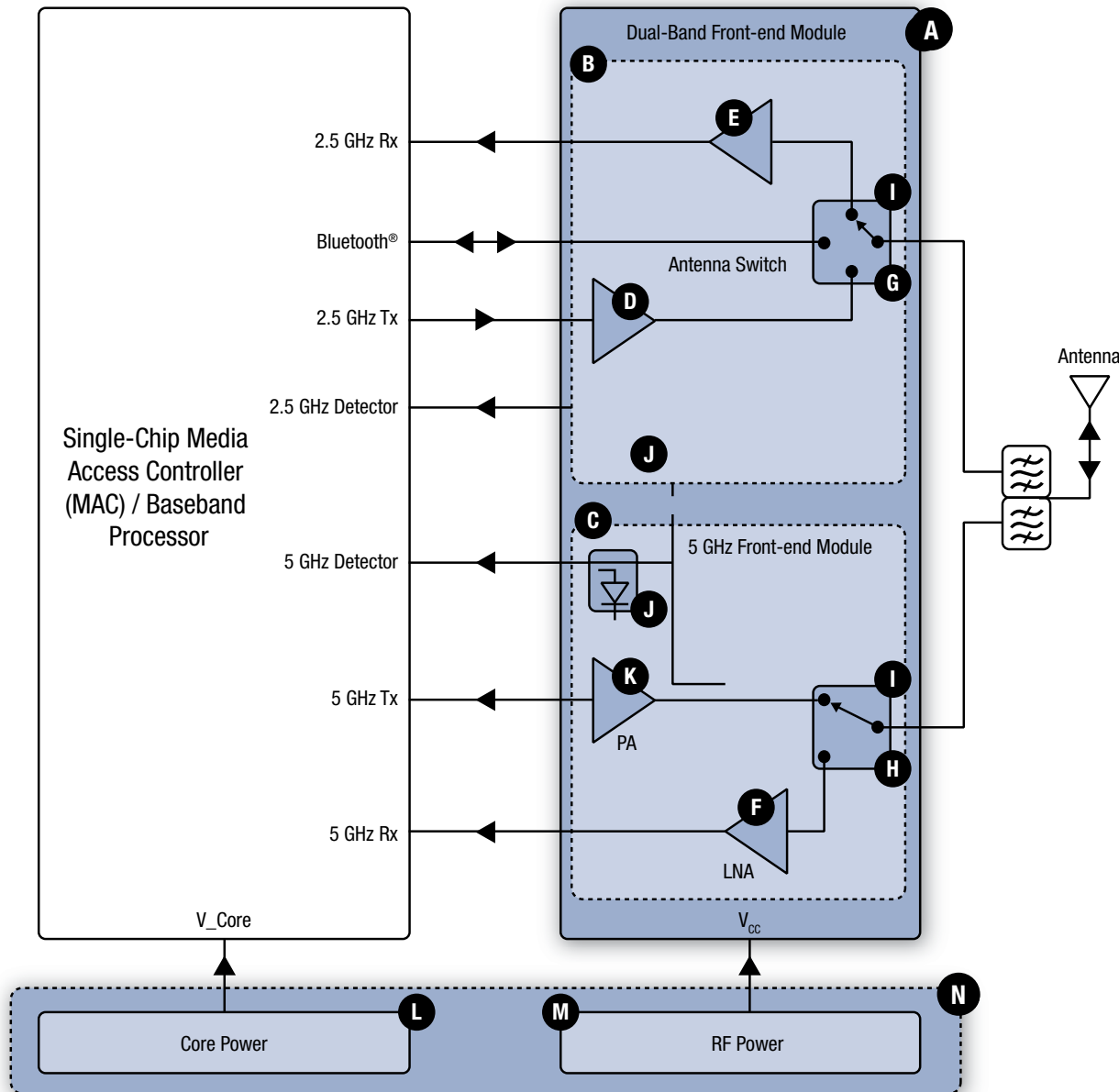


802.11a,b,g,n,ac Dual-Band WLAN and Bluetooth® (2.4 and 5 GHz)

Smartphone and Tablet

Part numbers link to product information



Dual-Band Front-end Modules

- A** SE5501L SE5511T
- SE5510T

2.4 GHz Front-end Modules

- B** SE2601T SE2614BT
- SE2611T SKY65534-11

5 GHz Front-end Modules

- C** SE5007BT SKY65535-11
- SE5007T

2.4 GHz Power Amplifiers

- D** SE2568U
- SE2574L

5 GHz Power Amplifiers

- K** SE5019T-R

2.4 GHz Low Noise Amplifiers

- E** SKY65405-21

5 GHz Low Noise Amplifiers

- F** SKY65404-31

2.4 GHz Switches

- G** AS179-92LF
- SKY13309-370LF
- SKY13317-373LF
- SKY13323-378LF
- SKY13345-368LF
- SKY13383-000
- SKY13385-460LF
- SKY13386-000

5 GHz Switches

- H** SKY13314-374LF
- SKY13348-374LF
- SKY13350-385LF
- SKY13351-378LF
- SKY13276-334

PIN Diodes

- I** SMP1340-079LF
- SMP1345-040LF
- SMP1345-518

Schottky Diodes

- J** SMS7630-040LF
- SMS7630-061
- SMS7630-079LF

Processor Power

- L** AAT2113B
- AAT2114A

RF Power

- M** SKY87201

PIN Diodes

- N** AAT2522
- AAT2789