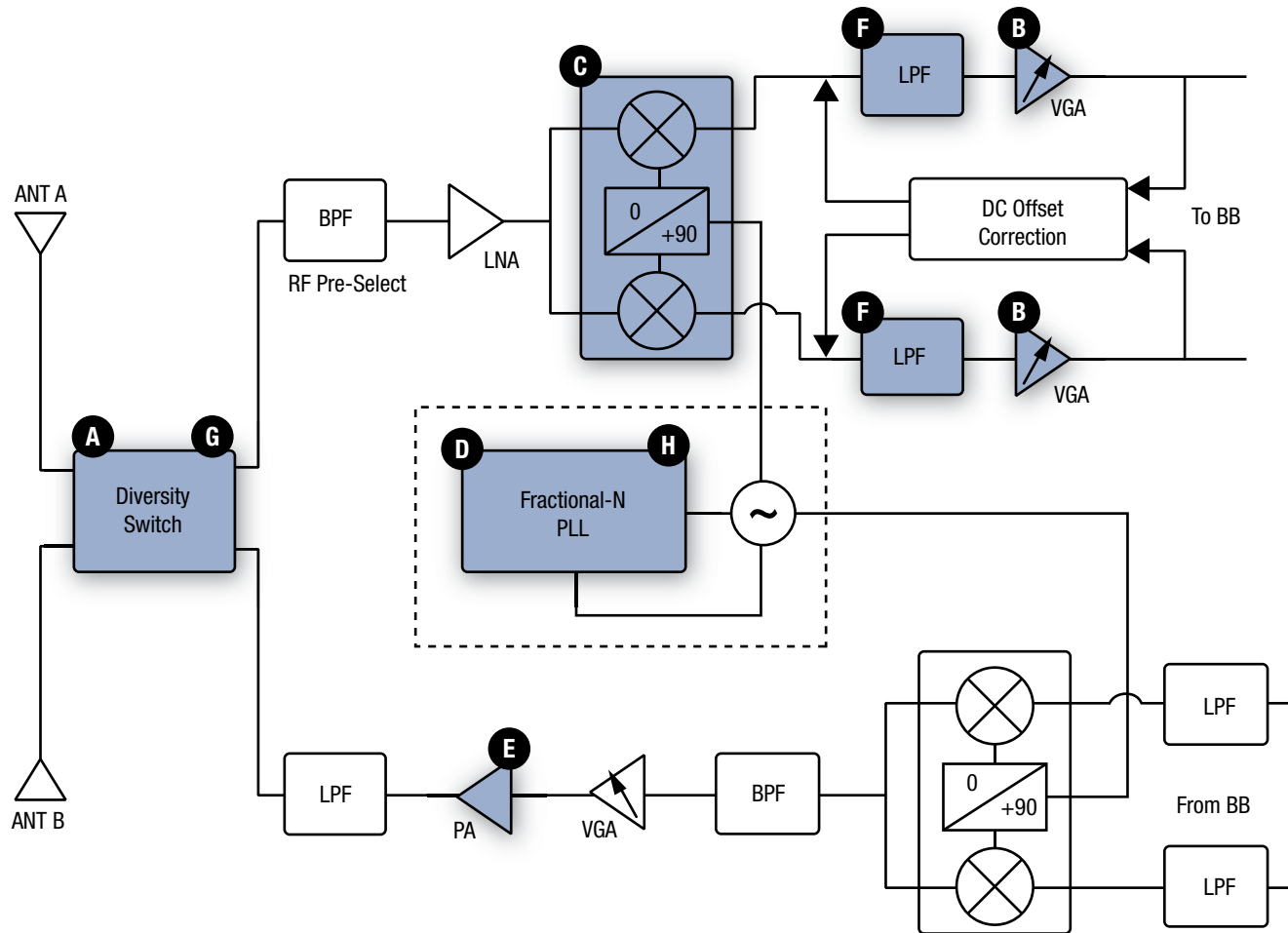


2.5 GHz Direct Conversion Architecture

Part numbers link to product information



Switches

- A** SKY13267-321LF
 SKY13290-313LF
 SKY13306-313LF
 SKY13318-321LF
 SKY13320-374LF
 SKY13321-360LF
 SKY13348-374LF
 SKY13381-374LF

Low Noise Amplifiers

- B** SKY65047-360LF
 SKY65081-70LF

Quadrature Demodulator

- C** SKY73012

Synthesizers/PLLs

- D** SKY72302-21
 SKY73134-11

Power Amplifiers

- E** SKY65005
 SKY65013
 SKY65014
 SKY65015
 SKY65017
 SKY65028
 SKY65081
 SKY65162

Programmable Low Pass Filters

- F** SKY73201-364LF
 SKY73202-364LF

PIN Diodes

- G** SMP1340 Series
 SMP1345 Series
 SMP1320 Series
 SMP1352 Series

Varactor Diodes

- H** SMV1145 Series
 SMV1247 Series
 SMV1249 Series
 SMV1255 Series
 SMV1405 Series