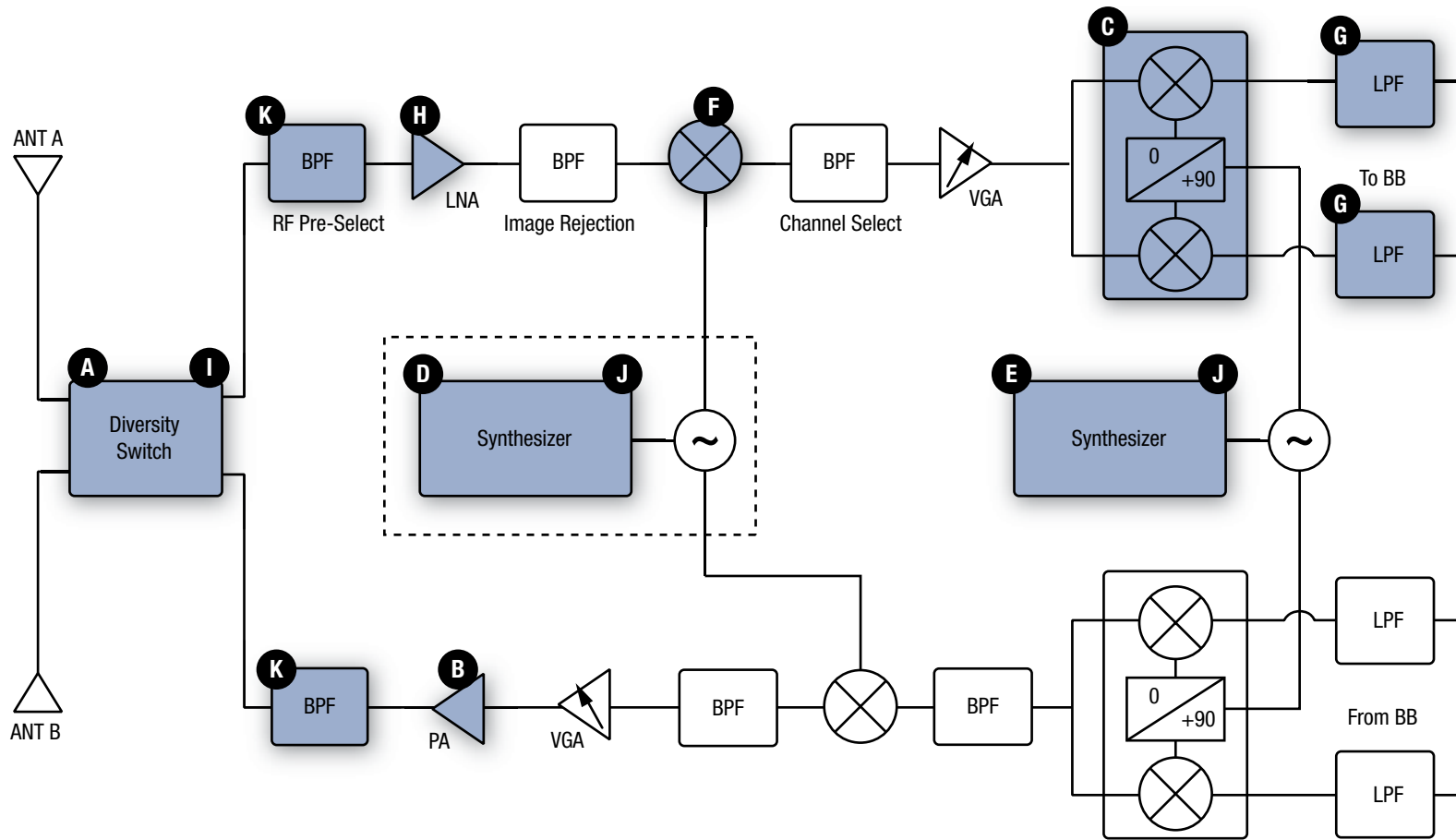


# 2.5 GHz Superheterodyne Architecture

Part numbers link to product information



## Switches

- A** SKY13267-321LF  
SKY13290-313LF  
SKY13306-313LF  
SKY13318-321LF  
SKY13320-374LF  
SKY13321-360LF  
SKY13348-374LF  
SKY13381-374LF

## Power Amplifiers

- B** SKY65028  
SKY65081  
SKY65162

## Demodulators

- C** SKY73009  
SKY73012

## Synthesizers/PLLs

- D** SKY72302-21  
SKY73134-11
- E** SKY72302-21

## Mixers

- F** SKY73025  
SKY73035

## Programmable Low Pass Filters

- G** SKY73201-364LF  
SKY73202-364LF

## Low Noise Amplifiers

- H** SKY65047-360LF  
SKY65081-70LF  
SKY67014-396LF

## PIN Diodes

- SMP1340 Series
- SMP1345 Series
- SMP1320 Series
- SMP1352 Series

## Varactor Diodes

- SMV1145 Series
- SMV1247 Series
- SMV1249 Series
- SMV1255 Series
- SMV1405 Series

## Filters

- K** Ceramic Band Pass Filter