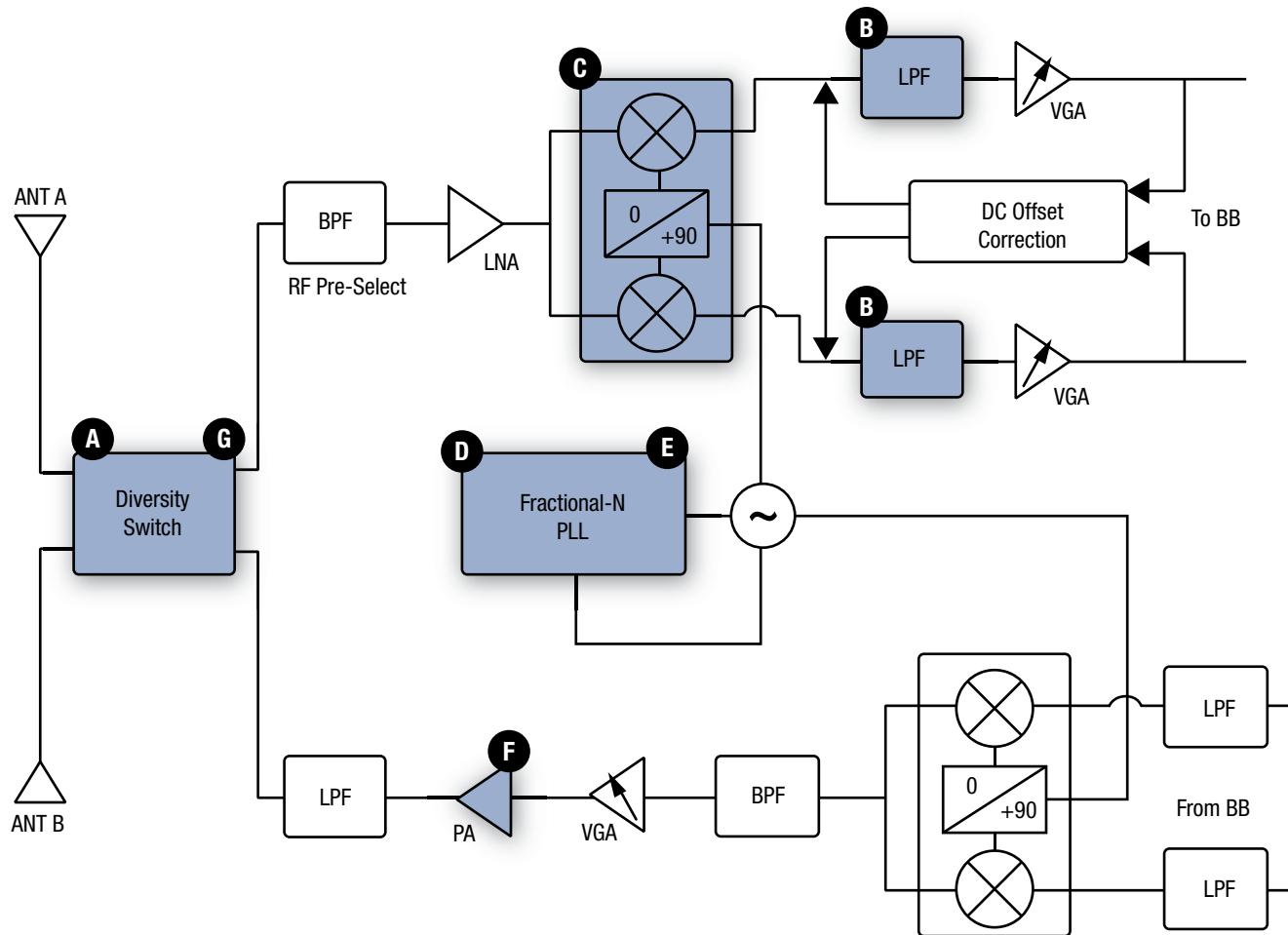


# 3.5 GHz Direct Conversion Architecture

Part numbers link to product information



## Switches

- A** AS179-92LF
- AS218-321LF
- SKY13267-321LF
- SKY13314-374LF
- SKY13348-374LF

## Programmable Low Pass Filters

- B** SKY73201-364LF
- SKY73202-364LF

## Quadrature Demodulator

- C** SKY73012

## Synthesizers

- D** SKY72302-21
- SKY73134-11

## Varactor Diodes

- E** SMV1145 Series
- SMV1247 Series
- SMV1249 Series
- SMV1255 Series
- SMV1405 Series

## Power Amplifiers

- F** SKY65013
- SKY65014
- SKY65015
- SKY65017

## PIN Diodes

- G** SMP1320 Series
- SMP1340 Series
- SMP1345 Series
- SMP1352 Series