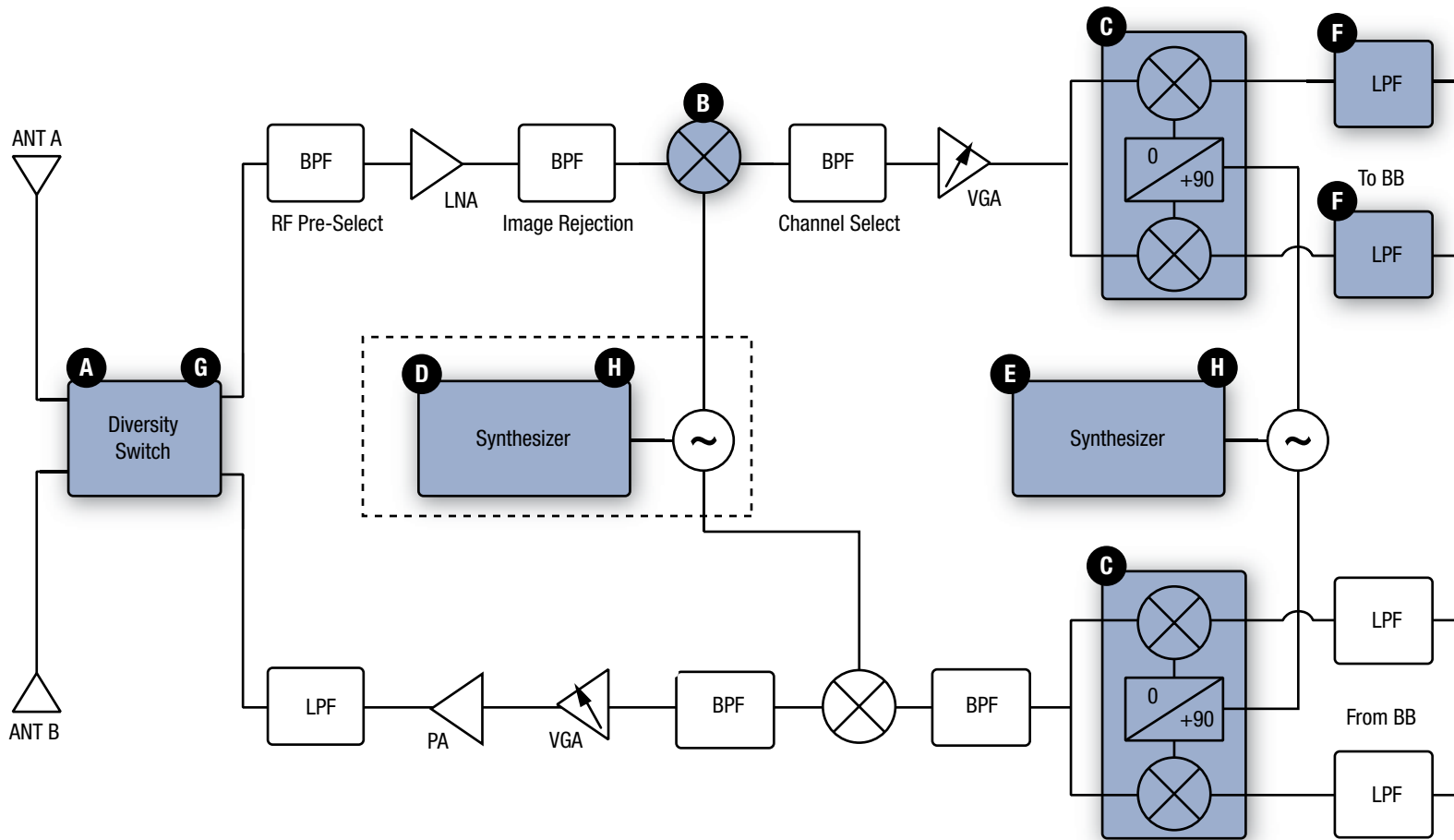


3.5 GHz Superheterodyne Architecture

Part numbers link to product information



Switches

- A** AS218-321LF
- SKY13267-321LF
- SKY13290-313LF
- SKY13306-313LF
- SKY13348-374LF

Mixer

- B** SKY73048

Quadrature Demodulators

- C** SKY73009
- SKY73012

Synthesizers/PLLs

- D** SKY72302-21
- SKY73134-11
- E** SKY72302-21

Programmable Low Pass Filters

- F** SKY73201-364LF
- SKY73202-364LF

PIN Diodes

- G** SMP1320 Series
- SMP1340 Series
- SMP1345 Series
- SMP1352 Series

Varactor Diodes

- H** SMV1145 Series
- SMV1247 Series
- SMV1249 Series
- SMV1255 Series
- SMV1405 Series