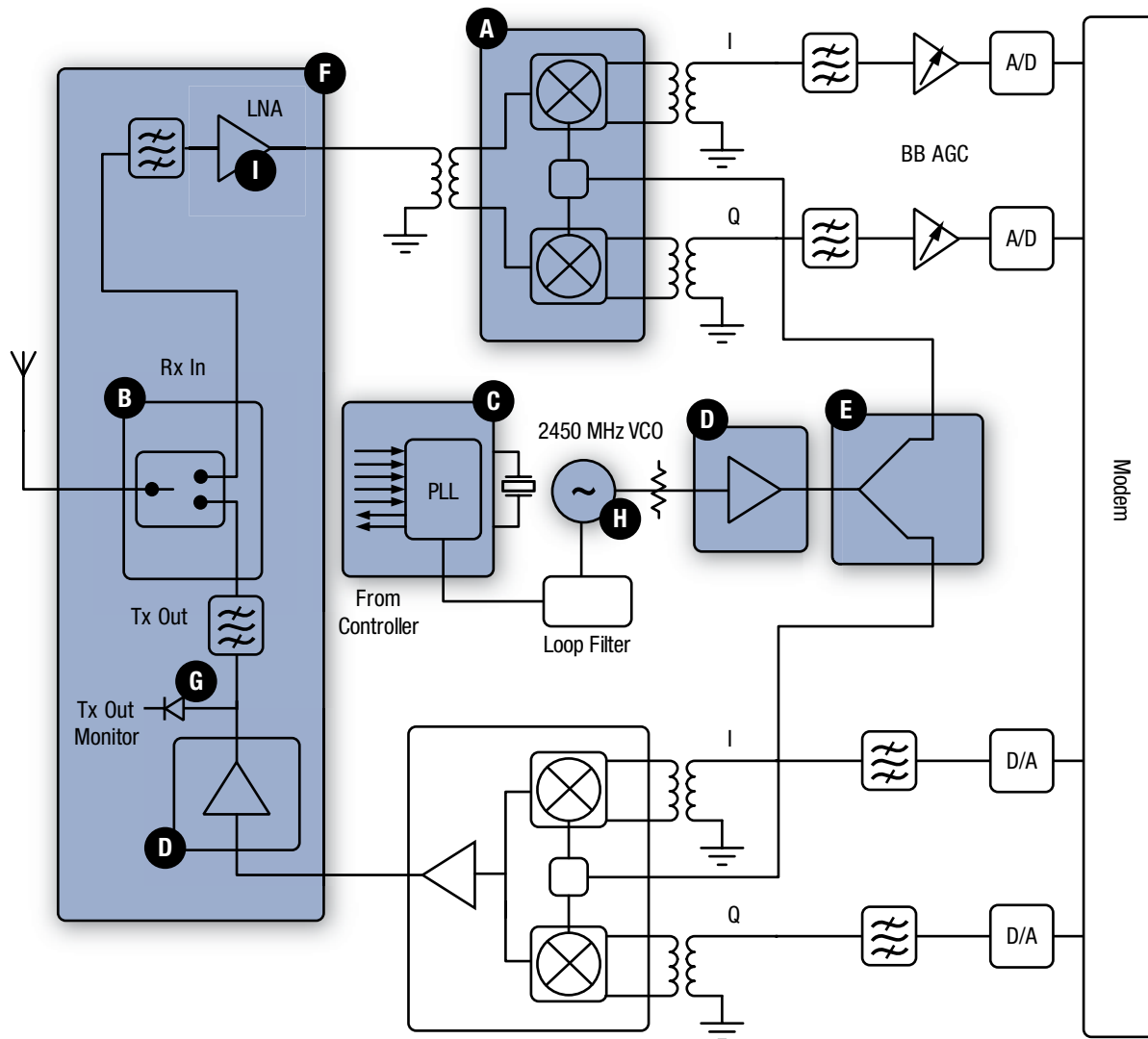


# 2.45 GHz DSS Wireless Reader (Simplified)

Part numbers link to product information



## Quadrature Demodulators

- A** SKY73009  
SKY73012

## Switches

- B** AS179-92LF  
AS211-334  
SKY13306-313LF  
SKY13348-374LF  
SKY13377-313LF  
SMP1320-001LF

## Synthesizers/PLLs

- C** SKY72302-21  
SKY74038-21

## Amplifiers

- D** SKY65006-348LF  
SKY65013-70LF  
SKY65013-92LF  
SKY65131  
SKY65132

## Power Divider

- E** PD22-73LF

## Front-End Modules

- F** SKY65344-21  
SKY65352-11

## Schottky Detector

- G** SMS7630-005LF

## Varactor Diodes

- H** SMV1142-011LF  
SMV1235-011LF  
SMV1249-003LF  
SMV1251-079LF  
SMV1413-001LF  
SMV1413-079LF

## Low Noise Amplifier

- I** SKY65047-360LF