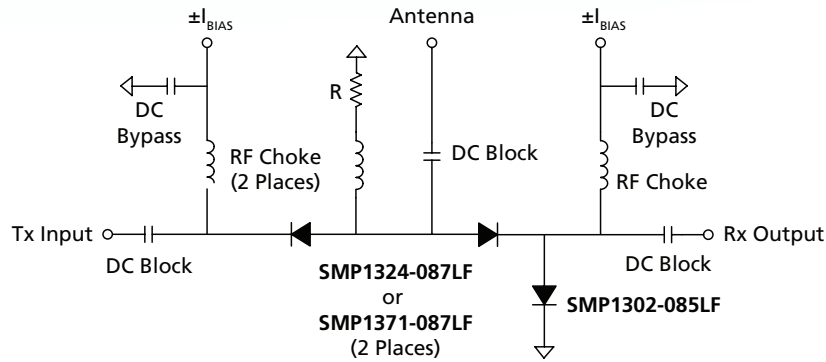







High Power Transmit/Receive Switching PIN Diodes

For HF, VHF and UHF Land Mobile, Military or Civil Two-Way Radios and LTE Base Stations

Skyworks' series and shunt plastic packaged PIN diodes for failsafe and transmit/receive switch systems enable circuit designers to develop switches that can safely handle tens of watts of continuous wave (CW) RF power, while reducing cost and footprint. These very low thermal resistance (40 °C/W) diodes enable single-pole, double-throw switch designs at frequencies up to 1 GHz that can handle input signals as large as 35 watts.



Typical Single-Pole, Double-Throw High Power Switch

Input Power (W)	Frequency (GHz)	Diode Characteristics	Configuration	Package (mm)	Part Number
≤ 35	≤ 1	$R_s \leq 0.75 \Omega$, $C_T \leq 1.5 \text{ pF}$, 100 μm I layer	Series	QFN 2 x 2	 SMP1324-087LF
≤ 30	≤ 1	$R_s \leq 0.5 \Omega$, $C_T \leq 1.2 \text{ pF}$, 12 μm I layer	Series	QFN 2 x 2	 SMP1371-087LF
≤ 50	≤ 4	$R_s \leq 1.5 \Omega$, $C_T \leq 0.3 \text{ pF}$, 100 μm I layer	Shunt	QFN 2 x 2	 SMP1302-085LF

 Skyworks Green™ products are compliant to all applicable materials legislation and are halogen-free. For additional information, refer to Skyworks Definition of Green™, document number SQ04-0074.

**For more information on our broad product portfolio,
please visit our Web site at www.skyworksinc.com**

