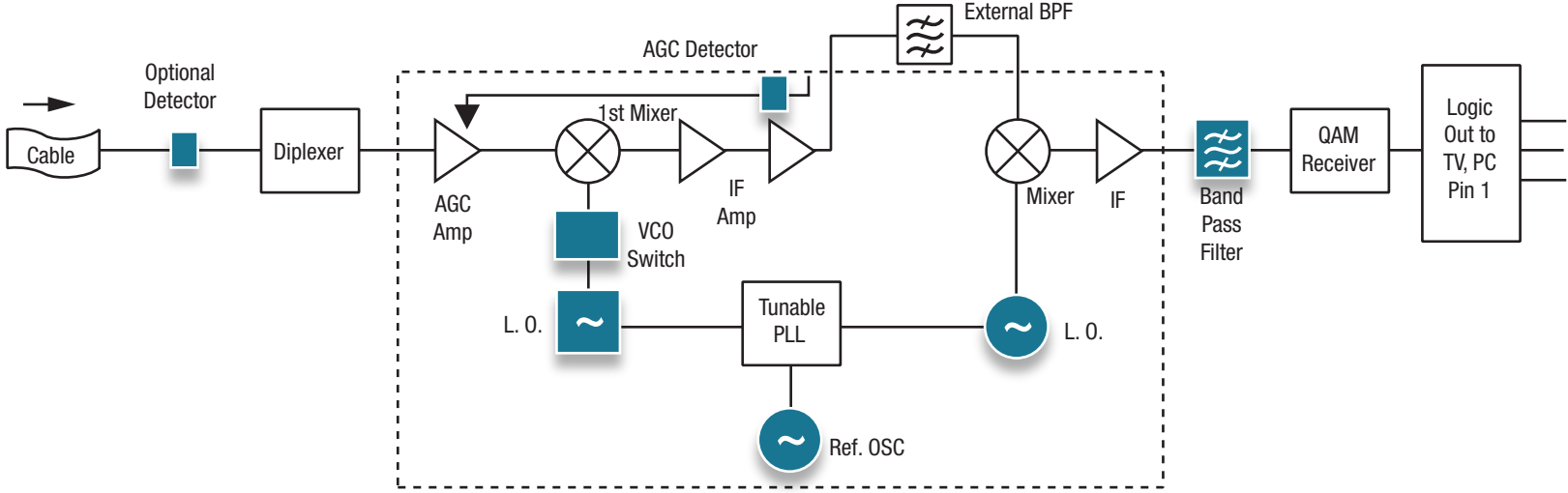


CATV Modem

Part numbers link to product information

Receiver

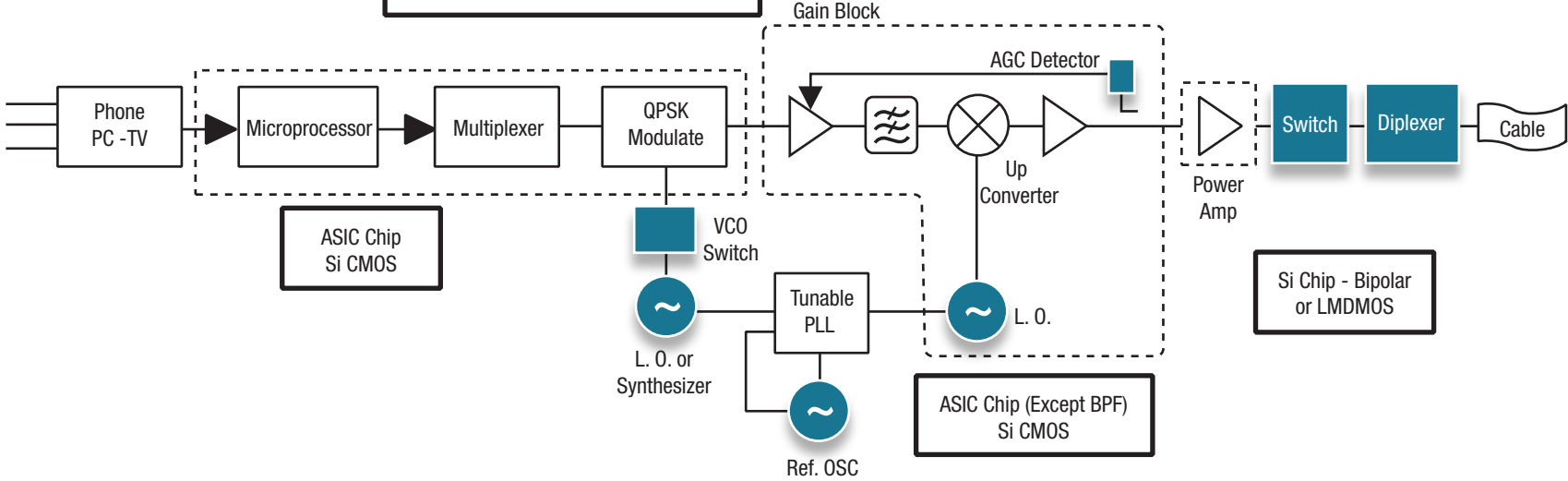
Nominal Frequency: 70 MHz–1 GHz



ASIC Chip Technology Si CMOS

Transmitter

Nominal Frequency: 5–70 MHz



ASIC Chip Si CMOS

ASIC Chip (Except BPF) Si CMOS

Si Chip - Bipolar or LMDMOS