



Delivering High Reliability Solutions for Aerospace and Defense

Mission critical communications require precision systems that operate faultlessly under the most extreme conditions. Failure is not an option.

We offer a broad portfolio of products supporting aerospace and defense applications, all designed with high reliability and quality to ensure they work, day-in and day-out without fail.

skyworksinc.com



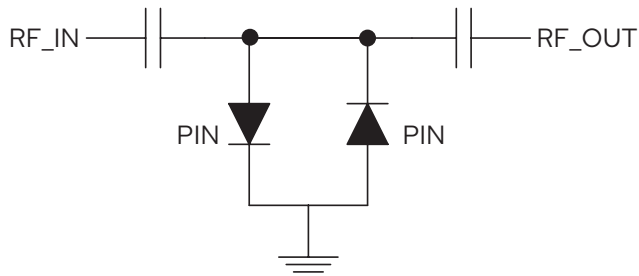
Featured Products

SKYWORKS®

SKY16603-632LF

High Linearity Limiter Modules

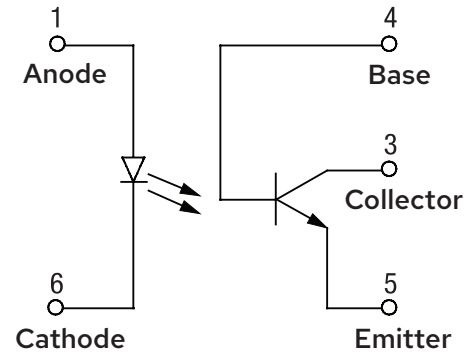
- Optimized for 600 to 6000 MHz operation
- Low limiting threshold (+8 dBm typical)
- Low insertion loss
- Excellent IIP3 and low IM distortion
- Integrated dual PIN limiter diodes and DC blocks



OLC049 Series

Radiation-Tolerant Optocouplers

- Non-hermetic SMT package
- 1000 VDC electrical isolation
- Operating temperature range -55 to +125 °C
- Radiation tolerant
- Available in non-screened and high reliability screened versions



High Linearity Limiter Modules

SKY16603-632LF	High Linearity Limiter Module (600 to 6000 MHz)	4-pin, 2.3 x 2.3 mm Dual Flat No Lead (DFN)
----------------	---	---

Radiation-Tolerant, Phototransistor Surface-Mount Optocouplers

OLC049	Radiation-Tolerant, Surface-Mount Optocoupler	4-pin, 3.8 x 5.6 mm Non-Hermetic Leadless Chip Carrier (LCC)
OLC249	Radiation-Tolerant, Non-Hermetic Surface-Mount Optocoupler	6-pin, 4.3 x 6.2 mm Non-Hermetic Leadless Chip Carrier (LCC)
OLC449	Radiation-Tolerant, Non-Hermetic Surface-Mount Optocoupler	6-pin, 4.3 x 6.2 mm Non-Hermetic Leadless Chip Carrier (LCC)

Circulators

SKYFR-002114	3800 to 4200 MHz Low Profile Tile Circulator	10.2 mm x 3 mm
--------------	--	----------------

Diplexers and Filters

TT49778E-TR	1227/1575 MHz Ceramic Diplexer for GPS L1 and L2	6-pin, 10.1 x 11.2 mm (SMT)
TT49764E-TR	4700 MHz Ceramic Filter for C-Band Radio	10-pin, 11.6 x 11.0 mm (SMT)