



## Energy Saving, Highly Integrated Front-End Modules (FEM) for the Internet of Things

Skyworks high-performance FEMs for Zigbee, Thread, BLE/Bluetooth, LoRa and Wi-SUN integrate inter-stage matching, harmonic filtering, digital controls and other functions to simplify the wireless system of IoT devices. Skyworks products provide significant advantages by increasing the range while lowering power consumption for battery operated IoT devices.



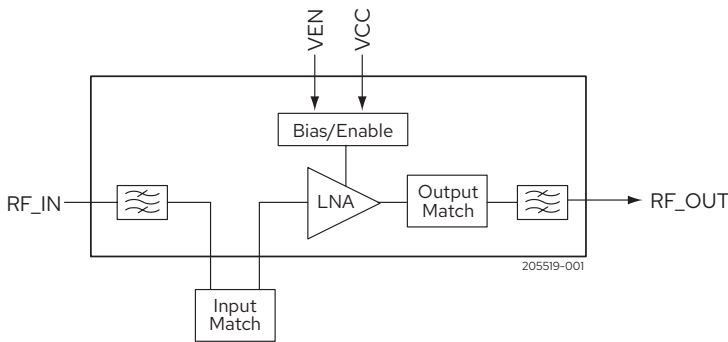
# Featured Products

# SKYWORKS®

## SKY55950-11

### Sky5® Low-Current GNSS LNA Front-End Module with Integrated Pre- and Post-Filter

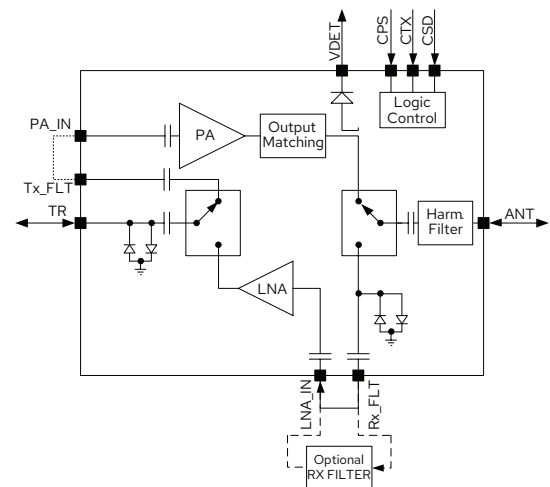
- Small signal gain: 16 dB
- Out-of-band P1dB: +8 dBm
- Out-of-band rejection: +94 dBc, 1627 to 1629 MHz
- Low noise figure: 1.9 dB
- Low current consumption: 1 mA @ 1.8 V
- Input/output impedance internally matched to 50 Ω
- Single DC supply: 1.5 V to 3.6 V
- Minimum number of external SMT devices required



## SKY66122-11

### 863 to 928 MHz Wi-SUN Front-End Module

- Output power: +30 dBm, Wi-SUN OFDM Option 1 MCS0, Option 1 MCS3
- Output power: +25 dBm, Wi-SUN OFDM Option 3 MCS6
- Integrated LNA with 2.5 dB noise figure (typical)
- TX and RX power limiters for maximum ruggedness
- Integrated power detector
- Single-ended 50 Ω RF interface
- Supply voltage: 3.0 V to 5.0 V
- Sleep mode current: < 1 μA



## Energy Saving, Highly Integrated FEMs for IoT

SKY66122-11	High-performance FEM for Wi-SUN, ISM and Other IoT Applications	36-pin, 6 x 6 x 0.9 mm (MCM)
SKY66407-11	2400 MHz Low-Power, Low-Profile FEM for Bluetooth IoT	9-pin, 1.2 x 1.2 x 0.35 mm (CSP)
SKY66423-11	860 to 930 MHz FEM for LoRa, LP-WAN, ISM and Other IoT Applications	16-pin, 3.0 x 3.0 x 0.75 mm (MCM)
SKY55950-11	1559 to 1606 MHz GPS LNA (GNSS) Low Current FEM with Pre- and Post-Filters	10-pin, 2.5 x 2.5 x 0.56 mm (MCM)
SKY77638-51	SkyLiTE™ Multimode Multiband Power Amplifier Module Cat 1 FEM	42-pin, 4.0 x 6.8 x 0.71 mm (MCM)