



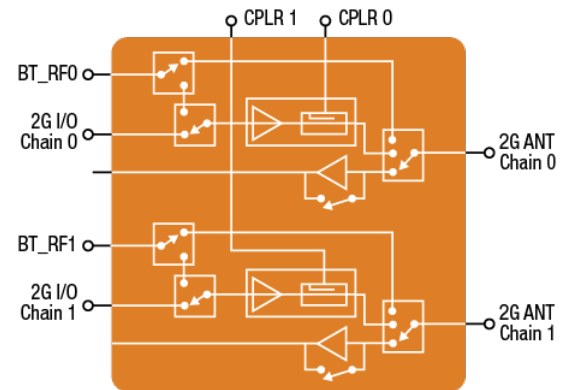
New Product Announcement

Dual 2.4 GHz, Front-end Module Supports Simultaneous Wi-Fi 6 Connectivity and LAA Support

Skyworks is pleased to introduce the [SKY5[®]-5242-11](#), a dual 2.4 GHz, 802.11ax high-linearity, high-efficiency front-end module designed for Wi-Fi 6 enabled devices including handsets, tablets and mobile devices supporting WLAN and Bluetooth[®] protocols. This highly integrated module includes two transmit and receive chains, an extremely low EVM floor power amplifier, low noise amplifier with bypass, and a SP3T antenna switch. The three transmit modes for high linearity, high efficiency and low gain provide optimal performance. The [SKY55242-11](#) builds on Skyworks' portfolio of revolutionary products for 5G applications.

Features:

- Two separate 2.4 GHz transmit-receive chains for **compact solution requirements**
- Three transmit modes for **performance optimization**
- **Extremely low EVM floor** to support 802.11ax
- Integrated high and low power Bluetooth chains **eliminates need for additional external components**
- **Compact package size** of 4 x 3 x 0.7 mm multi-chip module (MCM)



Reference Design Partners

| | |
|-------------|----------------------|
| Company | |
| Part Number | Suitable for WCN3998 |

About Skyworks

Skyworks Solutions, Inc. is empowering the wireless networking revolution. Our highly innovative analog semiconductors are connecting people, places and things spanning a number of new and previously unimagined applications within the aerospace, automotive, broadband, cellular infrastructure, connected home, industrial, medical, military, smartphone, tablet and wearable markets. Skyworks is a global company with engineering, marketing, operations, sales and support facilities located throughout Asia, Europe and North America and is a member of the S&P 500[®] and Nasdaq-100[®] market indices (Nasdaq: SWKS). For more information, please visit Skyworks' website at: www.skyworksinc.com.





SKYWORKS®

New Product Announcement

Sales and Technical Support

Pricing depends on quantities. Please contact a sales representative at sales@skyworksinc.com or visit the company's website at www.skyworksinc.com for more information.

About Skyworks

Skyworks Solutions, Inc. is empowering the wireless networking revolution. Our highly innovative analog semiconductors are connecting people, places and things spanning a number of new and previously unimagined applications within the aerospace, automotive, broadband, cellular infrastructure, connected home, industrial, medical, military, smartphone, tablet and wearable markets. Skyworks is a global company with engineering, marketing, operations, sales and support facilities located throughout Asia, Europe and North America and is a member of the S&P 500® and Nasdaq-100® market indices (Nasdaq: SWKS). For more information, please visit Skyworks' website at: www.skyworksinc.com.

