



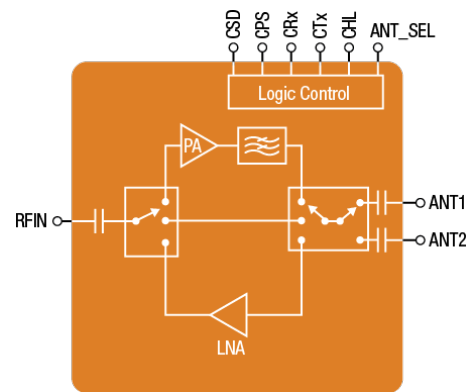
## New Product Announcement

# Front-end Modules for Ultra-Low Power IoT Applications

Skyworks is pleased to launch the [SKY66404-11](#), a 2.4 GHz front-end module (FEM) designed for Zigbee®, Thread, and Bluetooth® (including Low Energy) ultra-low power IoT applications spanning sensors, beacons, smart meters and thermostats, wireless cameras, smoke and CO detectors, and wearables including medical devices. Featuring high-performance in a compact form factor, SKY66404-11 provides increased efficiency, and more than 4X range extension over previous models. The integrated module includes a power amplifier, low-noise amplifier, low-loss bypass path, transmit and receive switches, and digital controls compatible with 1.7 to 3.6 V CMOS levels. Its wide supply voltage range also allows the device to be used in battery powered IoT applications over a broad spectrum of the battery discharge curve.

### Features:

- Integrated PA, providing **more than 4X range extension in transmit mode** versus system-on-chip (SoC) alone, covering worldwide unlicensed bands
- Integrated LNA, enabling as much as **6-8 dB receive sensitivity improvement** versus discrete SoC
- **Low power consumption**, making it ideal for operation from coin cell batteries
- Up to 3 kV HBM ESD, **for ultra robust performance**
- **Compact package size** of 3.5 x 3.0 x 0.82 mm multi-chip module

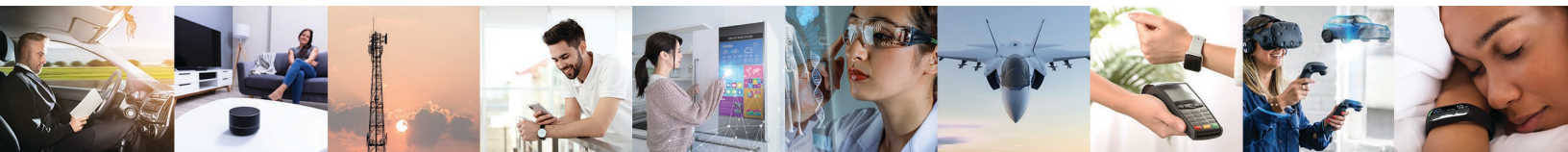


### Reference Design Partners

Company					
Part Number	DA1468x DA1453x	nRF51 nRF52	JN518x KW20, KW40	EFR32 EM358x	CC264x CC265x

### About Skyworks

Skyworks Solutions, Inc. is empowering the wireless networking revolution. Our highly innovative analog semiconductors are connecting people, places and things spanning a number of new and previously unimagined applications within the aerospace, automotive, broadband, cellular infrastructure, connected home, industrial, medical, military, smartphone, tablet and wearable markets. Skyworks is a global company with engineering, marketing, operations, sales and support facilities located throughout Asia, Europe and North America and is a member of the S&P 500® and Nasdaq-100® market indices (Nasdaq: SWKS). For more information, please visit Skyworks' website at: [www.skyworksin.com](http://www.skyworksin.com).





# SKYWORKS®

## New Product Announcement

### Sales and Technical Support

Pricing depends on quantities. Please contact a sales representative at [sales@skyworksinc.com](mailto:sales@skyworksinc.com) or visit the company's website at [www.skyworksinc.com](http://www.skyworksinc.com) for more information.

### About Skyworks

Skyworks Solutions, Inc. is empowering the wireless networking revolution. Our highly innovative analog semiconductors are connecting people, places and things spanning a number of new and previously unimagined applications within the aerospace, automotive, broadband, cellular infrastructure, connected home, industrial, medical, military, smartphone, tablet and wearable markets. Skyworks is a global company with engineering, marketing, operations, sales and support facilities located throughout Asia, Europe and North America and is a member of the S&P 500® and Nasdaq-100® market indices (Nasdaq: SWKS). For more information, please visit Skyworks' website at: [www.skyworksinc.com](http://www.skyworksinc.com).

