



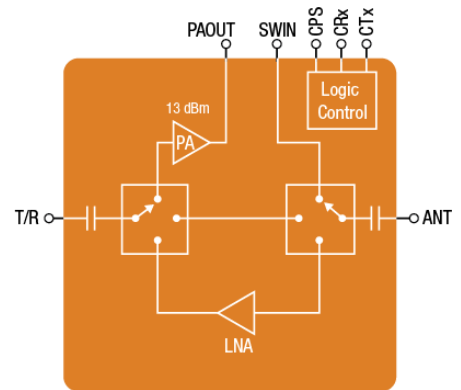
New Product Announcement

New Front-end Modules for Ultra-Low Power IoT Applications

Skyworks is pleased to launch the [SKY66405-11](#), a 2.4 GHz front-end module (FEM) designed for Zigbee®, Thread, and Bluetooth® (including Low Energy) ultra-low power IoT applications spanning sensors, beacons, smart meters and thermostats, wireless cameras, smoke and CO detectors, wearables and medical wearables. This high-performance solution comes in a compact form factor and provides increased efficiency, as well as more than 4X range extension. The integrated module includes a power amplifier, low-noise amplifier, low-loss bypass path, transmit and receive switches, and digital controls compatible with 1.6 V to 3.6 V CMOS levels. Its wide supply voltage range also allows the device to be used in battery powered IoT applications over a broad spectrum of the battery discharge curve.

Features:

- Integrated PA, providing **more than 4X range extension in transmit mode** versus system-on-chip (SoC) alone, covering worldwide unlicensed bands
- Integrated LNA, enabling as much as **6-8 dB receive sensitivity improvement** versus discrete SoC
- **Low power consumption**, making it ideal for operation from coin cell batteries
- Operating temperature from -40 to 105° C, **suitable for lighting and industrial applications**
- **Compact package size** of 1.9 x 1.9 x 0.56 mm multi-chip module (MCM)



Reference Design Partners



DA14585



nRF5284x – functionally equivalent to the SKY66112 / SKY66403 reference design

Sales and Technical Support

Pricing depends on quantities. Please contact a sales representative at sales@skyworksinc.com or visit the company's website at www.skyworksinc.com for more information.

About Skyworks

Skyworks Solutions, Inc. is empowering the wireless networking revolution. Our highly innovative analog semiconductors are connecting people, places and things spanning a number of new and previously unimagined applications within the aerospace, automotive, broadband, cellular infrastructure, connected home, industrial, medical, military, smartphone, tablet and wearable markets. Skyworks is a global company with engineering, marketing, operations, sales and support facilities located throughout Asia, Europe and North America and is a member of the S&P 500® and Nasdaq-100® market indices (Nasdaq: SWKS). For more information, please visit Skyworks' website at: www.skyworksinc.com.

