



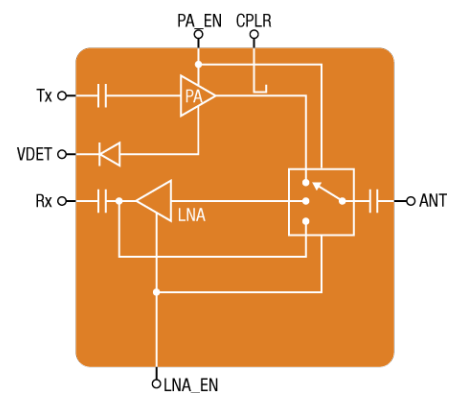
## New Product Announcement

### 2.4 and 5 GHz Front-end Modules for 802.11ax Applications

Skyworks is pleased to introduce the [SKY85334-11](#) and [SKY85750-11](#), 2.4 GHz and 5 GHz front-end modules (FEMs) respectively, the latest additions to our portfolio of FEMs designed for growing retail, carrier and enterprise Wi-Fi 6 applications. These modules offer best-in-class linearity, power dissipation, and efficiency for access points, routers and gateways where regulatory, thermals or Power-over-Ethernet (PoE) limitations demand low current consumption. Packaged in a compact, 16-pin 3 x 3 mm Land Grid Array (LGA), these highly integrated FEMs incorporate switching, low-noise amplifier (LNA) with bypass and power amplifier (PA).

#### Features:

- Very high linearity to support **1024 QAM with MU-MIMO applications and simultaneously maximize capacity and throughput**
- **Low power consumption**, ideal for PoE applications in high density deployments
- **FCC Compliant** for harmonics to reduce post FEM losses and improve overall performance
- **High receive sensitivity improves Rx throughput**, ideal for mesh applications where bidirectional speed and capacity are critical



#### Sales and Technical Support

Pricing depends on quantities. Please contact a sales representative at [sales@skyworksinc.com](mailto:sales@skyworksinc.com) or visit the company's website at [www.skyworksinc.com](http://www.skyworksinc.com) for more information.

#### About Skyworks

Skyworks Solutions, Inc. is empowering the wireless networking revolution. Our highly innovative analog semiconductors are connecting people, places and things spanning a number of new and previously unimagined applications within the aerospace, automotive, broadband, cellular infrastructure, connected home, industrial, medical, military, smartphone, tablet and wearable markets. Skyworks is a global company with engineering, marketing, operations, sales and support facilities located throughout Asia, Europe and North America and is a member of the S&P 500® and Nasdaq-100® market indices (Nasdaq: SWKS). For more information, please visit Skyworks' website at: [www.skyworksinc.com](http://www.skyworksinc.com).

