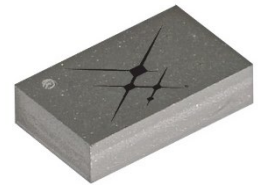




## New Product Announcement

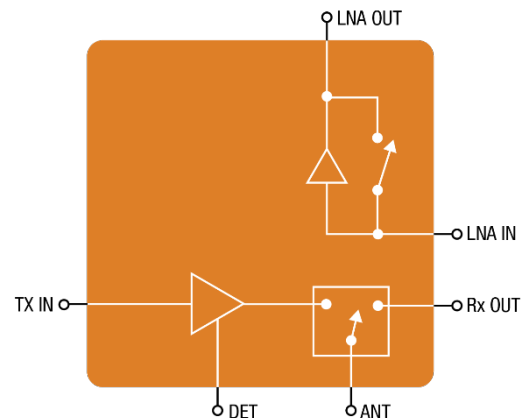
# High-Power Front-end Module for Automotive V2V and V2X Applications

Skyworks is pleased to introduce the SKYA21043, a highly-integrated, 5 GHz front-end module (FEM) incorporating a 5 GHz single-pole, double-throw (SPDT) transmit/receive (T/R) switch, a 5 GHz high-gain low-noise amplifier (LNA) with bypass, and a 5 GHz power amplifier (PA) intended for high-power 802.11p applications and systems. Qualified to AEC-Q104 (Grade 2), the SKYA21043 meets rugged reliability requirements for automotive applications including vehicle-to-vehicle (V2V) and vehicle-to-everything (V2X) covering smart antennas, compensators, and roadside units for automotive infrastructure, backhaul and cellular small cells. The device boasts +29 dBm output power, making it one of the highest power solutions on the market today. Its compact, conformally shielded package size will reduce front-end board space by more than 50 percent and the product is supported by the automotive PPAP process.



### Features:

- **Supports ITS-G5 (802.11p) and 3GPP rel 16 (LTE, 5G NR) wireless standards** for automotive applications
- **AEC-Q104 (Grade 2) Qualified with Automotive PPAP Support**
- Wide operating temperature range -40 to +105°C **for high ambient temp rooftop antennas**
- +29 dBm output power **to overcome high post PA losses** for antenna applications
- Compact 3 x 5 mm LGA shielded package **can reduce board space by >50%**



### Sales and Technical Support

Pricing depends on quantities. Please contact a sales representative at [sales@skyworksinc.com](mailto:sales@skyworksinc.com) or visit the company's website at [www.skyworksinc.com](http://www.skyworksinc.com) for more information.

### About Skyworks

Skyworks Solutions, Inc. is empowering the wireless networking revolution. Our highly innovative analog semiconductors are connecting people, places and things spanning a number of new and previously unimagined applications within the aerospace, automotive, broadband, cellular infrastructure, connected home, industrial, medical, military, smartphone, tablet and wearable markets. Skyworks is a global company with engineering, marketing, operations, sales and support facilities located throughout Asia, Europe and North America and is a member of the S&P 500® and Nasdaq-100® market indices (Nasdaq: SWKS). For more information, please visit Skyworks' website at: [www.skyworksinc.com](http://www.skyworksinc.com).

