

PRODUCT SUMMARY

SKY58105-11 Sky5® Mid- and High Band Front-End Module for 3G/4G/5G Applications

Applications

- Multi-band 3G/4G/5G Mobile Devices
- Handsets, Data Cards, M2M
- LTE Advanced Carrier Aggregation (CA)

Features

- MIPI® RFFE 3.0 control interface with 1.2V/1.8V nominal supply
- Supports envelope tracking applications
- Integrated quadruplexer filter for Bands 1, 3, and 40
- Integrated diplexer filter for Bands 34/39
- Integrated filter for Band 41F
- One auxiliary MB Tx outputs for external filters; One auxiliary HB Tx output for external filter
- Two auxiliary TRx ports to support additional bands
- Six Low Noise Amplifiers (LNA) Outputs
 - ANT output ports support flexible ANT configurations and swap
- Auxiliary 2G Tx output from low band module
- Integrated bi-directional RF coupler with cascade support
- All RF I/O ports matched to 50 Ω impedance
- Small, low profile/low cost package:
 - 8.6 mm x 6.5 mm x 0.65 mm
 - SkyShield™ Shielded Module
 - 62-pad Large Grid Array (LGA) configuration

3G Features

- WCDMA, HSPA+
- TD-SCDMA, TD-HSPA
- CDMA2000 1x RC1, RC3, EVDO (Rev A)



Skyworks Green™ products are compliant with all applicable legislation and are halogen-free. For additional information, refer to *Skyworks Definition of Green™*, document number SQ04-0074.

4G Features

- FDD LTE
- Uplink QPSK, 16QAM, 64QAM
- Intra-band uplink Carrier Aggregation (CA) support
 - 35 MHz (175 RB) for Band 39
 - 40 MHz (200 RB) for Bands 1, 3, 40, and 41
 - 60 MHz (300 RB) for Bands 40 and 41
- Inter-band downlink CA support

5G Features

- FDD/TDD NR Bands
- Uplink QPSK, 16QAM, 64QAM and 256QAM
- Up to 100 MHz APT and ET
- n1, n3, n41 support
- EN-DC Dual TX support for B3 + n41 and B39 + n41

Description

The SKY58105-11 Mid- and High Band Front-End Module (FEM) supports 3G/4G/5G mobile devices and operates efficiently in 3G/4G/5G modes. The SKY58105-11 is part of our Sky5® product portfolio. The module has separate 3G / 4G / 5G PA blocks operating in mid- and high bands, a silicon controller containing the MIPI RFFE interface, RF band switches, MB and HB antenna switches, bi-directional couplers, and integrated filters for Bands 1, 3, 34, 39, 40, and 41.

RF I/O ports are internally matched to 50 ohms to minimize the need for external components. Extremely low leakage current maximizes device standby time. IC die and passive components are mounted on a multi-layer laminate substrate. The module meets 5G NR and LTE advanced requirements where wider bandwidth (100 MHz) and CA are used for higher data rates. Combined filtering, RF matching, and TRx switching internal to the module optimizes performance for popular Downlink (DL) CA band combinations. The module contains necessary components between the antenna and RFIC transceiver and is optimized for superior Rx sensitivity and Tx efficiency. Two ANT ports provide flexibility to support multiple ANT configurations and ANT swap function. For the Uplink, the PA blocks support very wide bandwidth 5G NR operations: up to 60 MHz for n1 and up to 100 MHz for n41.

Figure 1 shows the SKY58105-11 functional block diagram.

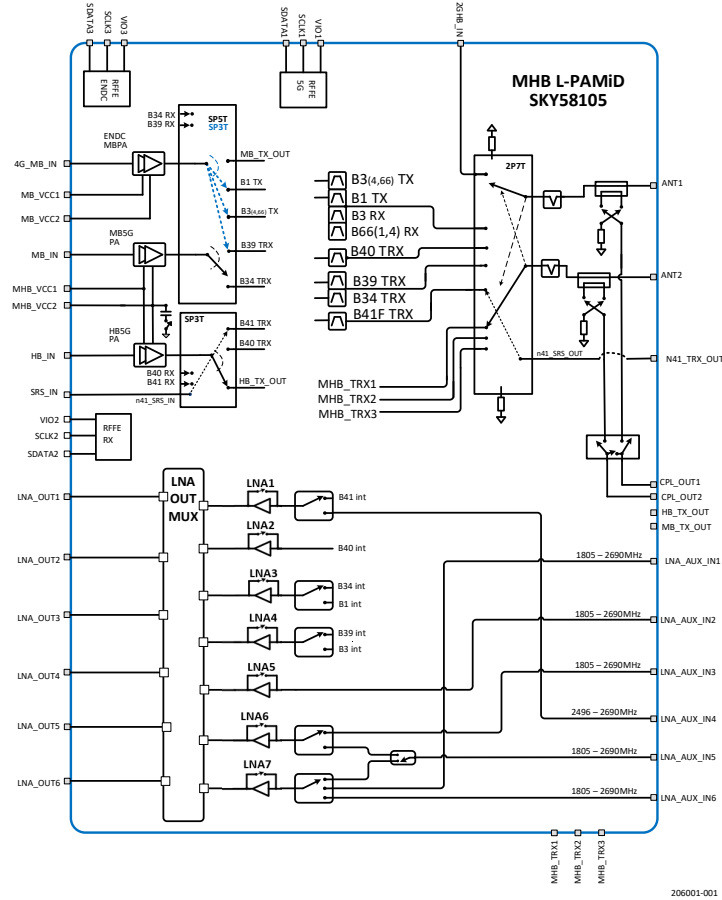


Figure 1. SKY58105-11 Functional Block Diagram

Ordering Information

Part Number	Part Description	Evaluation Board Part Number
SKY58105-11	SKY58105-11 Mid- and High Band FEM	SKY58105-11EK1

Copyright © 2022 Skyworks Solutions, Inc. All Rights Reserved.

Information in this document is provided in connection with Skyworks Solutions, Inc. (“Skyworks”) products or services. These materials, including the information contained herein, are provided by Skyworks as a service to its customers and may be used for informational purposes only by the customer. Skyworks assumes no responsibility for errors or omissions in these materials or the information contained herein. Skyworks may change its documentation, products, services, specifications or product descriptions at any time, without notice. Skyworks makes no commitment to update the materials or information and shall have no responsibility whatsoever for conflicts, incompatibilities, or other difficulties arising from any future changes.

No license, whether express, implied, by estoppel or otherwise, is granted to any intellectual property rights by this document. Skyworks assumes no liability for any materials, products or information provided hereunder, including the sale, distribution, reproduction or use of Skyworks products, information or materials, except as may be provided in Skyworks’ Terms and Conditions of Sale.

THE MATERIALS, PRODUCTS AND INFORMATION ARE PROVIDED “AS IS” WITHOUT WARRANTY OF ANY KIND, WHETHER EXPRESS, IMPLIED, STATUTORY, OR OTHERWISE, INCLUDING FITNESS FOR A PARTICULAR PURPOSE OR USE, MERCHANTABILITY, PERFORMANCE, QUALITY OR NON-INFRINGEMENT OF ANY INTELLECTUAL PROPERTY RIGHT; ALL SUCH WARRANTIES ARE HEREBY EXPRESSLY DISCLAIMED. SKYWORKS DOES NOT WARRANT THE ACCURACY OR COMPLETENESS OF THE INFORMATION, TEXT, GRAPHICS OR OTHER ITEMS CONTAINED WITHIN THESE MATERIALS. SKYWORKS SHALL NOT BE LIABLE FOR ANY DAMAGES, INCLUDING BUT NOT LIMITED TO ANY SPECIAL, INDIRECT, INCIDENTAL, STATUTORY, OR CONSEQUENTIAL DAMAGES, INCLUDING WITHOUT LIMITATION, LOST REVENUES OR LOST PROFITS THAT MAY RESULT FROM THE USE OF THE MATERIALS OR INFORMATION, WHETHER OR NOT THE RECIPIENT OF MATERIALS HAS BEEN ADVISED OF THE POSSIBILITY OF SUCH DAMAGE.

Skyworks products are not intended for use in medical, lifesaving or life-sustaining applications, or other equipment in which the failure of the Skyworks products could lead to personal injury, death, physical or environmental damage. Skyworks customers using or selling Skyworks products for use in such applications do so at their own risk and agree to fully indemnify Skyworks for any damages resulting from such improper use or sale.

Customers are responsible for their products and applications using Skyworks products, which may deviate from published specifications as a result of design defects, errors, or operation of products outside of published parameters or design specifications. Customers should include design and operating safeguards to minimize these and other risks. Skyworks assumes no liability for applications assistance, customer product design, or damage to any equipment resulting from the use of Skyworks products outside of Skyworks’ published specifications or parameters.

Skyworks, the Skyworks symbol, Sky5®, SkyOne®, SkyBlue™, Skyworks Green™, Clockbuilder®, DSPLL®, ISOModem®, ProSLIC®, and SiPHY® are trademarks or registered trademarks of Skyworks Solutions, Inc. or its subsidiaries in the United States and other countries. Third-party brands and names are for identification purposes only and are the property of their respective owners. Additional information, including relevant terms and conditions, posted at www.skyworksinc.com, are incorporated by reference.