



Si86xxISO EVALUATION BOARD USER'S GUIDE

1. Introduction

The Si86xxISO evaluation board allows designers to evaluate Skyworks family of CMOS ultra-low-power isolators. These isolators are CMOS devices employing RF coupler technology to transmit digital information across an isolation barrier. Very high speed operation at low power levels is achieved. These products are based on Skyworks' proprietary RF isolation technology and offer shorter propagation delays, lower power consumption, improved noise immunity, smaller installed size, and more stable operation with temperature and age versus opto couplers. The Si861x/2x/3x/4x/5x/6x include up to six unidirectional isolated channels, permitting data transmission up to 150 Mbps. The Si860x isolator series consists of single-package galvanic isolation solutions for I²C, SMBus, and other digital power supply communications, including those for bus power management. For more information, refer to the respective family data sheets.

A summary of the benefits provided by the Skyworks Si86xx CMOS Digital Isolator family includes:

- Si86xx Digital Isolators
 - 5.0 kV, 3.75 kV, and 1.0 kV isolation ratings
 - UL, CSA, and VDE certifications
 - DC to 150 Mbps
 - 2.5 to 5.5 V VDD supply range
 - Fail-safe operating mode(s)
 - -40 to 125 °C temperature range
 - 10 ns max propagation delay
 - <1.5 mA/channel @ 1 Mbps
 - <1.5 ns pulse width distortion
 - Very low EMI
 - Up to 50 V/m electric field immunity
 - >1000 A/m magnetic field immunity
 - >30 kV/μs CMTI
 - 4 kV HBM ESD immunity
- Si860x I²C-Compatible Bidirectional Isolators
 - Bidirectional SDA and SCL
 - 1.7 Mbps
 - 35 mA open drain I/O
 - 3 to 5.5 V VDD supply range
- Packaging and Isolation Rating Options
 - WB SOIC-16 (5 kV)
 - NB SOIC-16 (3.75 kV)
 - NB SOIC-8 (3.75 kV)
 - QSOP-16 (1 kV)
 - RoHS compliant

Si86xxISO-EVB UG

2. Kit Contents

The Si86xxISO Evaluation Kit contains the following items:

- Si86xxISO based evaluation board (Si86xxISO-EVB) shown in Figure 1.
- Si8600, Si8605, Si8621, Si8655, and Si8663 CMOS digital isolators installed on the evaluation board

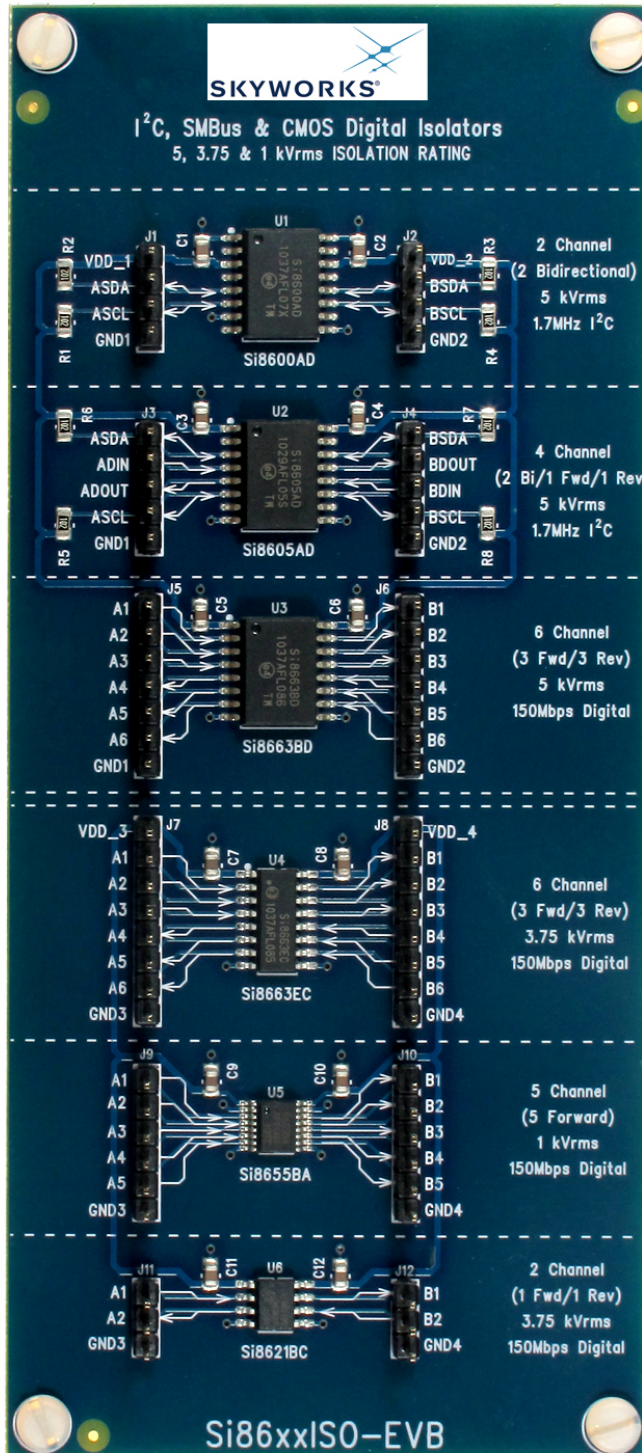


Figure 1. Si86xxISO Evaluation Board Overview

3. Hardware Overview and Setup

The Si86xxISO evaluation board is populated with the following isolators:

- Si8600 (2-channel I²C isolator)
- Si8605 (2-channel digital isolator, 2-channel I²C isolator)
- Si8621 (2-channel digital isolator, one forward, one reverse)
- Si8455 (5-channel digital isolator, five forward)
- Si8663 (6-channel digital isolator, three forward, three reverse)

The board is designed to be powered from two separate supplies (2.5–5.5 V, 500 mA) that power all the isolators on the board. VDD1,GND1 and VDD2,GND2 power the 5 kV isolators. VDD3,GND3 and VDD4,GND4 power the 1 and 2.5 kV isolators. Supplies as low as 2.5 V can be used. If a user wants to evaluate an isolator other than the ones populated, this can be accomplished by removing the footprint-compatible device installed on the evaluation board and replacing it with the desired isolator device. Figure 2 provides a silkscreen overview of the board.

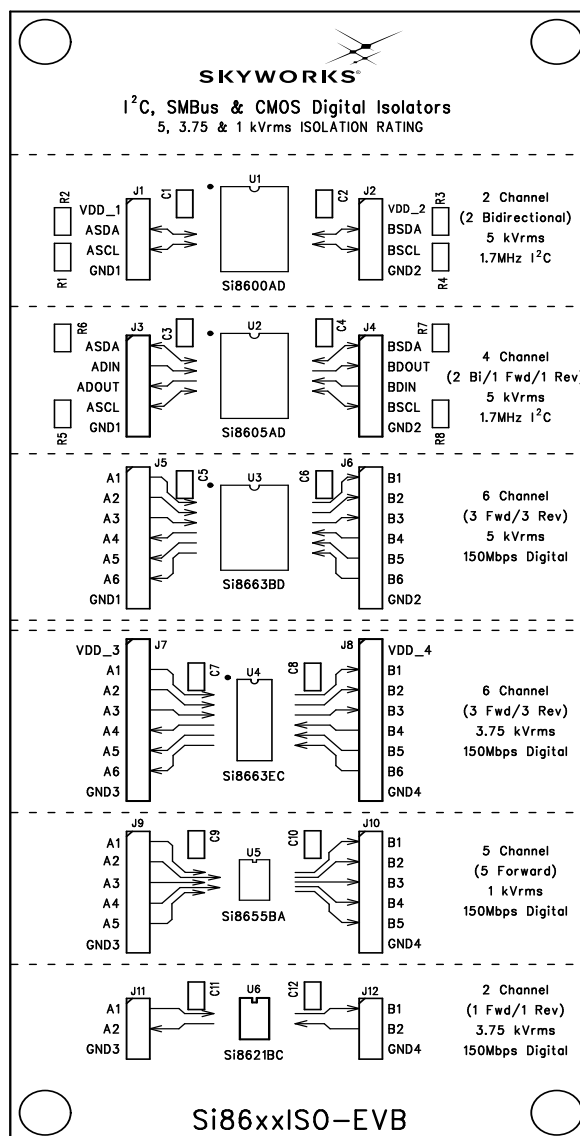


Figure 2. Si86xxISO Evaluation Board Silkscreen

Si86xxISO-EVB UG

3.1. Digital Isolator Considerations

The Si86xxISO evaluation board (see Figure 1) provides a means of evaluating the Si861x,2x,3x,4x,5x,6x digital isolator families as well as the Si8600 isolated I²C family. After power (2.5–5 V) has been supplied to the board, connect a digital input signal (5 V_{peak} max, with desired clock frequency up to 150 Mbps) to the desired input channel. To view the isolated channel's data transmission, connect a scope probe to the output channel of interest. There are various inputs and outputs on either side of the board depending on the device one chooses to evaluate, as indicated by the silk screen. The board can be used to measure propagation delay, pulse-width distortion, channel-channel matching, pulse-width skew, and various other parameters.

The nominal output impedance of an isolator driver channel is approximately 50 Ω, ±40%, which is a combination of the values of the on-chip series termination resistor and the channel resistance of the output driver FET. When driving loads where transmission line effects are a factor, output pins should be terminated with 50 Ω controlled impedance PCB traces.

Figure 3 illustrates the Si8621 transmitting a 500 kHz (3 V_{peak}) signal through the Si8621. VDD1 and VDD2 were powered from 3 V. Channel 1 illustrates the input, and Channel 2 illustrates the output.

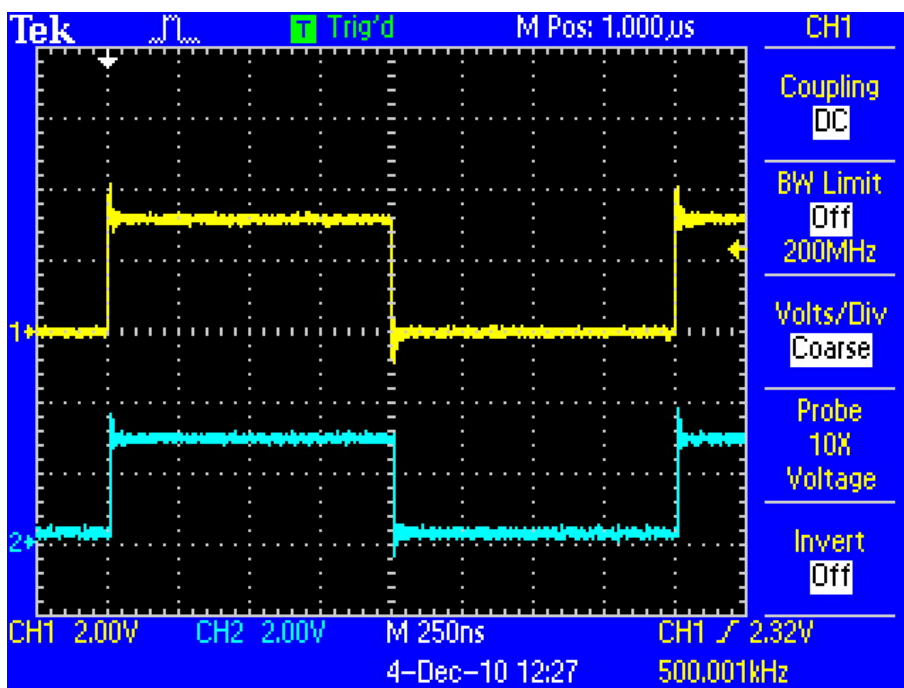


Figure 3. 500 kHz (5 V Peak) Signal

3.2. I²C Isolator Considerations

After power (3–5 V) has been supplied to the board, connect a digital square wave input (5 V_{peak} max, with desired clock frequency up to 1.7 MHz) to the desired input channel. The Si8600/05 I²C isolators have 1 k Ω pull-up resistors already installed. If these resistors are redundant with another board that is being used to evaluate the Si8600/05, the user should remove the redundant pull-up resistors to accommodate adequate drive current for the test being performed.

Figure 4 illustrates Side B Pulling Up, with Side A following for the Si8600. The Si8600 was powered from 3 V on both sides with a 100 kHz input test signal.

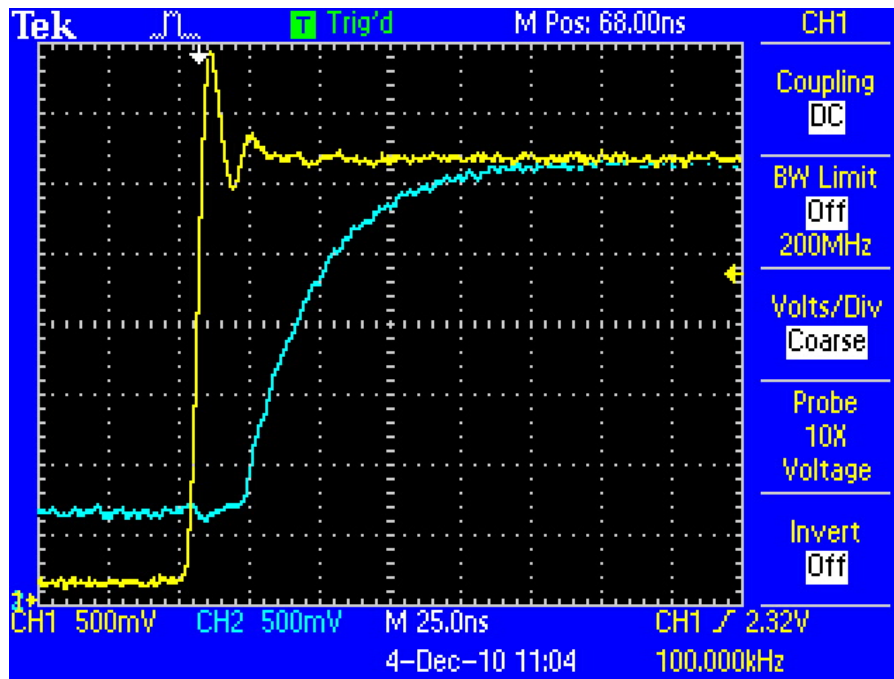


Figure 4. Side B Pulling Up, Side A Following

Note: The test points in front of each device have 1 mm spacing. If desired, the test points can be replaced with a 1 mm spacing terminal block to assist in evaluation.

Si86xxISO-EVB UG

4. Si86xxISO Evaluation Board Schematics

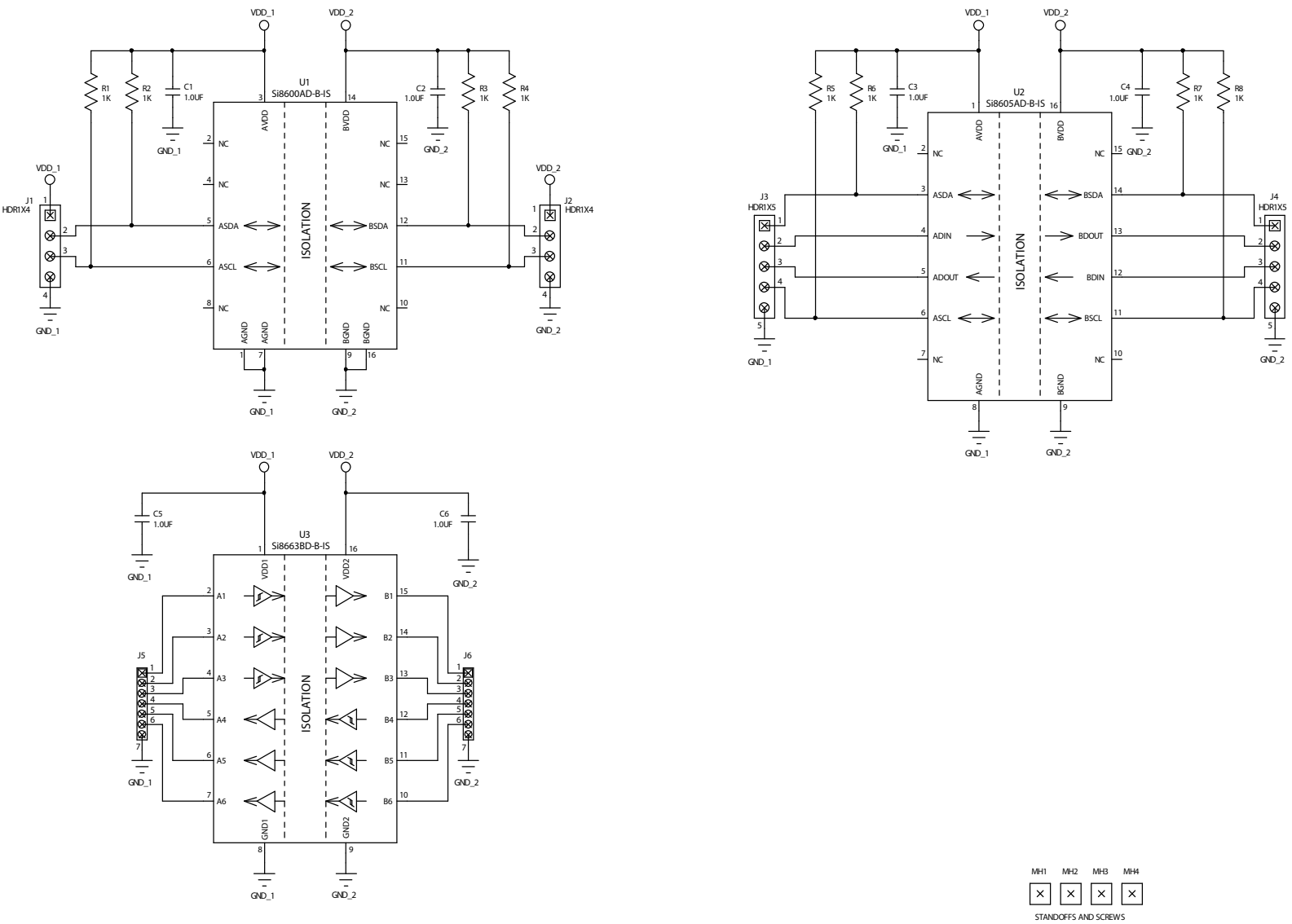


Figure 5. Si86xxISO Evaluation Board Schematic (1 of 2)

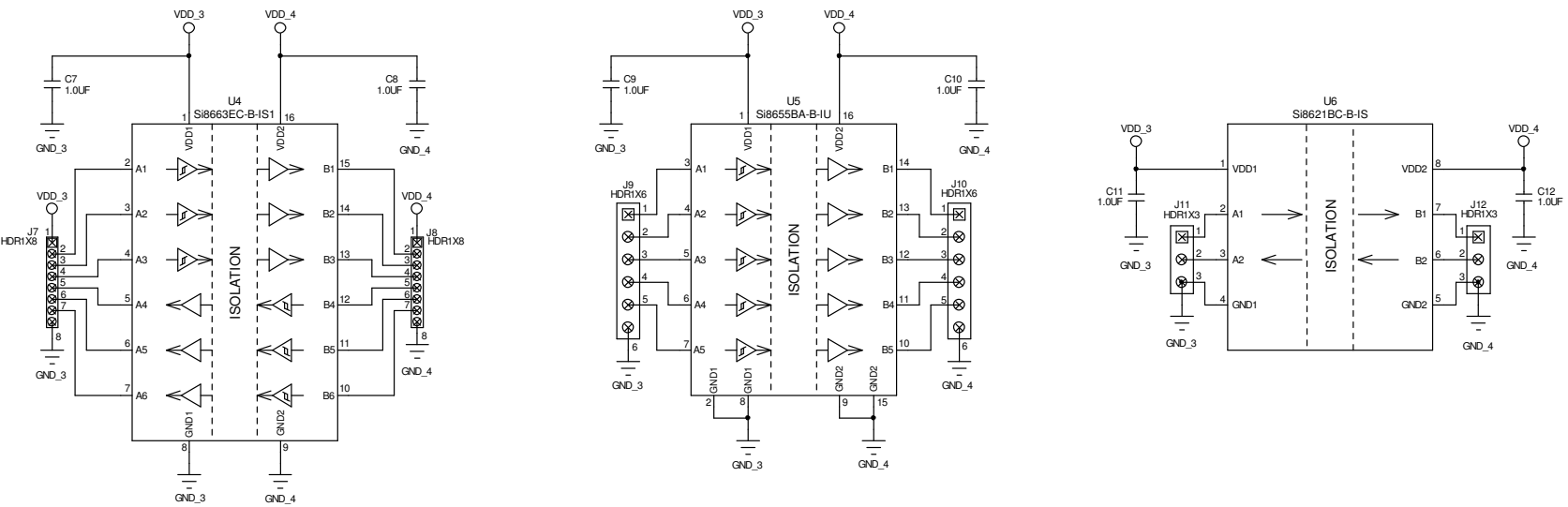


Figure 6. Si86xxISO Evaluation Board Schematic (2 of 2)

Si86xxISO-EVB UG

5. Bill of Materials

Table 1. Si86xxISO Evaluation Board Bill of Materials*

Item	Qty	Ref	Part #	Mfr	Description
1	4	MH1-4	1902AK-ND/H542-ND	Digikey	Standoff, Nylon, 4-40, 1/4" HEX x 0.250" HGT or EQ, RoHS
2	12	C1-12	PCC2249CT-ND	Digikey	Cap 1.0 μ F, X5R, Ceramic, 0805, 16 V, \pm 10%, OR EQ, RoHS
3	8	R1-8	RR12P1.0KBCT-ND	Digikey	RES, 1 k Ω , SMT, 0805, 1/10 W, \pm 0.1%, OR EQ, RoHS
4	2	J11-12	S1011E-03-ND	Digikey	STAKE HEADER, 1x3, 0.1" CTRS, OR EQ, RoHS
5	2	J1-2	S1011E-04-ND	Digikey	STAKE HEADER, 1x4, 0.1" CTRS, OR EQ, RoHS
6	2	J3-4	S1011E-05-ND	Digikey	STAKE HEADER, 1x5, 0.1" CTRS, OR EQ, RoHS
7	2	J9-10	S1011E-06-ND	Digikey	STAKE HEADER, 1x6, 0.1" CTRS, OR EQ, RoHS
8	2	J7-8	S2011E-08-ND	Digikey	STAKE HEADER, 1x8, 0.1" CTR, GOLD, OR EQ, RoHS
9	2	J5-6	S2011E-09-ND	Digikey	STAKE HEADER, 1x9, 0.1" CTR, GOLD, OR EQ, RoHS
10	1	U1	Si8600AD-B-IS	Skyworks	IC, I ² C ISO, 2-Ch, 2 Bidirectional, 1.7 MHz, 5 kV, SOL-16, RoHS
11	1	U2	Si8605AD-B-IS	Skyworks	IC, 4-Ch I ² C ISO, 2 Bidirectional, 2 Unidirectional, 1.7 MHz, 5 kV, SOL-16, RoHS
12	1	U6	Si8621BC-B-IS	Skyworks	IC, ISOpro Low-Power 2-Channel Isolator, 150 Mbps, 3.75 kV, SO-8, RoHS
13	1	U5	Si8655BA-B-IU	Skyworks	IC, 5-Channel Digital Isolator, Low-Power, 5 Forward, 150 Mbps, 1 kV, QSOP-16, RoHS
14	1	U3	Si8663BD-B-IS	Skyworks	IC, 6-Channel Digital Isolator, Low-Power, 3 Forward/3 Reverse, 150 Mbps, 5 kV, SOL-16, RoHS
15	1	U4	Si8663EC-B-IS1	Skyworks	IC, 6-Channel Digital Isolator, 3 Forward/3 Reverse, Low-Power, 150 Mbps, 3.75 kV, SO-16, RoHS

***Note:** All components on this BOM are lead free.

6. Ordering Guide

Table 2. Si86xxISO Evaluation Board Ordering Guide

Ordering Part Number (OPN)	Description
Si86xxISO-KIT	Si86xx CMOS digital isolator evaluation board kit

DOCUMENT CHANGE LIST

Revision 0.1 to Revision 0.2

- Updated BOM and schematics to reflect change from Rev A to Rev B silicon.

NOTES:



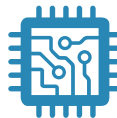
SKYWORKS®

**Connecting Everyone
and Everything,
All the Time**



Portfolio

www.skyworksinc.com



Quality

www.skyworksinc.com/quality



Support & Resources

www.skyworksinc.com/support

Copyright © 2021 Skyworks Solutions, Inc. All Rights Reserved.

Information in this document is provided in connection with Skyworks Solutions, Inc. ("Skyworks") products or services. These materials, including the information contained herein, are provided by Skyworks as a service to its customers and may be used for informational purposes only by the customer. Skyworks assumes no responsibility for errors or omissions in these materials or the information contained herein. Skyworks may change its documentation, products, services, specifications or product descriptions at any time, without notice. Skyworks makes no commitment to update the materials or information and shall have no responsibility whatsoever for conflicts, incompatibilities, or other difficulties arising from any future changes.

No license, whether express, implied, by estoppel or otherwise, is granted to any intellectual property rights by this document. Skyworks assumes no liability for any materials, products or information provided hereunder, including the sale, distribution, reproduction or use of Skyworks products, information or materials, except as may be provided in Skyworks' Terms and Conditions of Sale.

THE MATERIALS, PRODUCTS AND INFORMATION ARE PROVIDED "AS IS" WITHOUT WARRANTY OF ANY KIND, WHETHER EXPRESS, IMPLIED, STATUTORY, OR OTHERWISE, INCLUDING FITNESS FOR A PARTICULAR PURPOSE OR USE, MERCHANTABILITY, PERFORMANCE, QUALITY OR NON-INFRINGEMENT OF ANY INTELLECTUAL PROPERTY RIGHT; ALL SUCH WARRANTIES ARE HEREBY EXPRESSLY DISCLAIMED. SKYWOKS DOES NOT WARRANT THE ACCURACY OR COMPLETENESS OF THE INFORMATION, TEXT, GRAPHICS OR OTHER ITEMS CONTAINED WITHIN THESE MATERIALS. SKYWOKS SHALL NOT BE LIABLE FOR ANY DAMAGES, INCLUDING BUT NOT LIMITED TO ANY SPECIAL, INDIRECT, INCIDENTAL, STATUTORY, OR CONSEQUENTIAL DAMAGES, INCLUDING WITHOUT LIMITATION, LOST REVENUES OR LOST PROFITS THAT MAY RESULT FROM THE USE OF THE MATERIALS OR INFORMATION, WHETHER OR NOT THE RECIPIENT OF MATERIALS HAS BEEN ADVISED OF THE POSSIBILITY OF SUCH DAMAGE.

Skyworks products are not intended for use in medical, lifesaving or life-sustaining applications, or other equipment in which the failure of the Skyworks products could lead to personal injury, death, physical or environmental damage. Skyworks customers using or selling Skyworks products for use in such applications do so at their own risk and agree to fully indemnify Skyworks for any damages resulting from such improper use or sale.

Customers are responsible for their products and applications using Skyworks products, which may deviate from published specifications as a result of design defects, errors, or operation of products outside of published parameters or design specifications. Customers should include design and operating safeguards to minimize these and other risks. Skyworks assumes no liability for applications assistance, customer product design, or damage to any equipment resulting from the use of Skyworks products outside of Skyworks' published specifications or parameters.

Skyworks, the Skyworks symbol, Sky5®, SkyOne®, SkyBlue™, Skyworks Green™, Clockbuilder®, DSPLL®, ISOModem®, ProSLIC®, and SiPHY® are trademarks or registered trademarks of Skyworks Solutions, Inc. or its subsidiaries in the United States and other countries. Third-party brands and names are for identification purposes only and are the property of their respective owners. Additional information, including relevant terms and conditions, posted at www.skyworksinc.com, are incorporated by reference.

Skyworks Solutions, Inc. | Nasdaq: SWKS | sales@skyworksinc.com | www.skyworksinc.com

USA: 781-376-3000 | Asia: 886-2-2735 0399 | Europe: 33 (0)1 43548540 |