



SKYWORKS[®]



skyworksinc.com

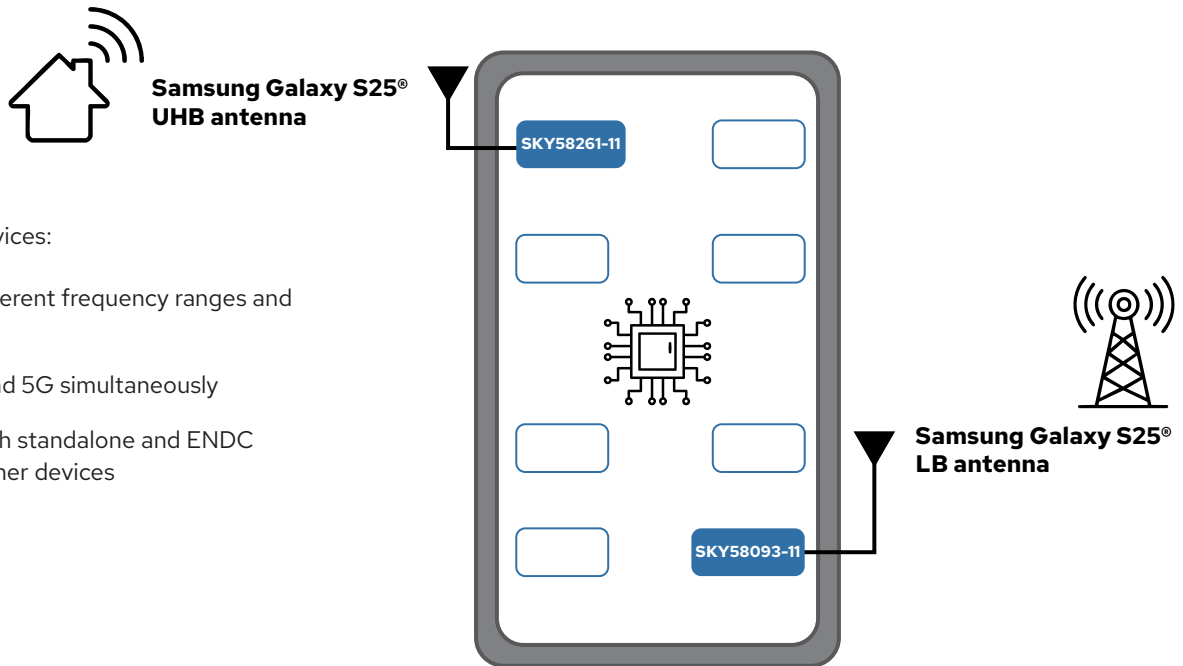
Enhance 5G Performance

Realize Cost Savings and Improve Power Amplifier Efficiency with Skyworks RF Front-end Modules

Skyworks RF front-end solutions for 5G economize available PCB space while improving battery life for consumer mobile devices.

Featured Products

Sky5® Integrated Power Amplifier (PA) and Low Noise Amplifiers (LNAs)



Both Skyworks devices:

- ✓ Operate in different frequency ranges and modulation
- ✓ Support 4G and 5G simultaneously
- ✓ Operate in both standalone and ENDC modes with other devices

SKY58093-11 Sky5® Low-band PA and LNA Module with Integrated Duplexers

Manages both the amplification of outgoing signals and incoming weak signals within a single component, improving efficiency and space-saving in mobile devices.

- Multi-band 2G/LTE/5G NR L-PAMiD devices:
 - » GSM850/GSM900
 - » Bands 8, 12, 13, 14, 20, 26, 28A, 28B, 29, and 71 with integrated duplexer filters for bands 8, 12, 20, and 26
- Integrated bi-directional RF coupler
- Small, low-profile package:
 - » Land Grid Array (LGA) package with conformal shielding

SKY58261-11 Sky5® UHB Front-end Module for 4G and 5G

High-performance PA core efficiency improves the battery life of customer mobile devices.

- Multi-band LTE/5G NR L-PAMiF devices:
 - » Bands B42, B43, B48, n48, n77, n78, and C-band with integrated filters
- High-performance Average Power Tracking (APT) PA core
- Integrated Vcc switch for PA
- Integrated SRS_IN and SRS_OUT
- Small, low-profile package:
 - » Land Grid Array (LGA) package with conformal shielding

Part Number	Description	Package
SKY58093-11	NR L-PAMiD 2G/LTE/5G module	46-pad configuration, 6 mm x 5 mm x 0.7 mm
SKY58261-11	NR L-PAMiF LTE/5G module	30-pad configuration, 5 mm x 3 mm x 0.7 mm

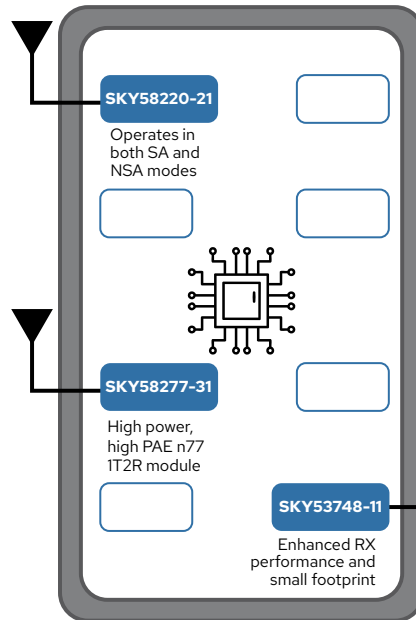
Featured Products

Sky5® LB/MB/HB/UHB Front-end and Diversity Receive Modules



**Redmi® K and Realme®
GT Series Android®
Smartphones**

- ✓ Highly integrated 5G solution for China and India SKUs with internal 1/3/39+41 and 1/3+40, 1+3 ENDC support
- ✓ Highly integrated solution attractive to customer designs
- ✓ Our Sky5® family of highly integrated modules provide a complete solution for 5G handsets



**Redmi® K and Realme®
GT Series Android®
Smartphones**

SKY53748-11: Sky5® LB/MB/HB Diversity Receive Module

- Diversity module that supports all key two- and three-carrier aggregation band combinations
- Delivers high-end features at a cost-conscious price point
- High-performance multi-on, N-plexing technology for superior non-CA and CA performance

SKY58277-31: Sky5® UHB Front-end Module for 4G and 5G

- UHB L-PAMiF that covers B42, B43, B48, n48, n77, and n78
- Integrated Sounding Reference Signal (SRS) switch supporting fast SRS hopping
- High-performance APT PA core

SKY58220-21: Sky5® LB/MB/HB Front-end Module for 4G and 5G

- Accelerates customer TTM by placing all components in one form factor
- Serves both China and India markets with internal MB+HB and band 1 + band 3 ENDC
- Manages both transmit and receive + MIMO functions within a single component, improving efficiency and space-saving in mobile devices
- Flagship-level performance and features at an affordable price range

Part Number	Description	Package
SKY58220-21	LB/MHB L-PAMiD 3G/4G/5G module	247-pad configuration, 8.65 mm x 6.80 mm x 0.725 mm
SKY53748-11	LB/MB/HB module, supports 2G/3G/4G/5G	56-lead package, 3.5 mm x 3.6 mm x 0.7 mm
SKY58277-31	UHB L-PAMiF 4G/5G module	30-pad configuration, 5.0 mm x 3.0 mm x 0.7 mm



Copyright © 2025 Skyworks Solutions, Inc. All Rights Reserved.

Skyworks, the Skyworks logo and others are trademarks or registered trademarks of Skyworks Solutions, Inc. or its subsidiaries in the United States and other countries. Third-party brands and names are for identification purposes only and are the property of their respective owners.

Skyworks | Nasdaq: SWKS | [skyworksinc.com](https://www.skyworksinc.com) | sales@skyworksinc.com

USA: 949.231.3000 | Asia: 886.2.2735.0399 | Europe: 33.1.4354.8540