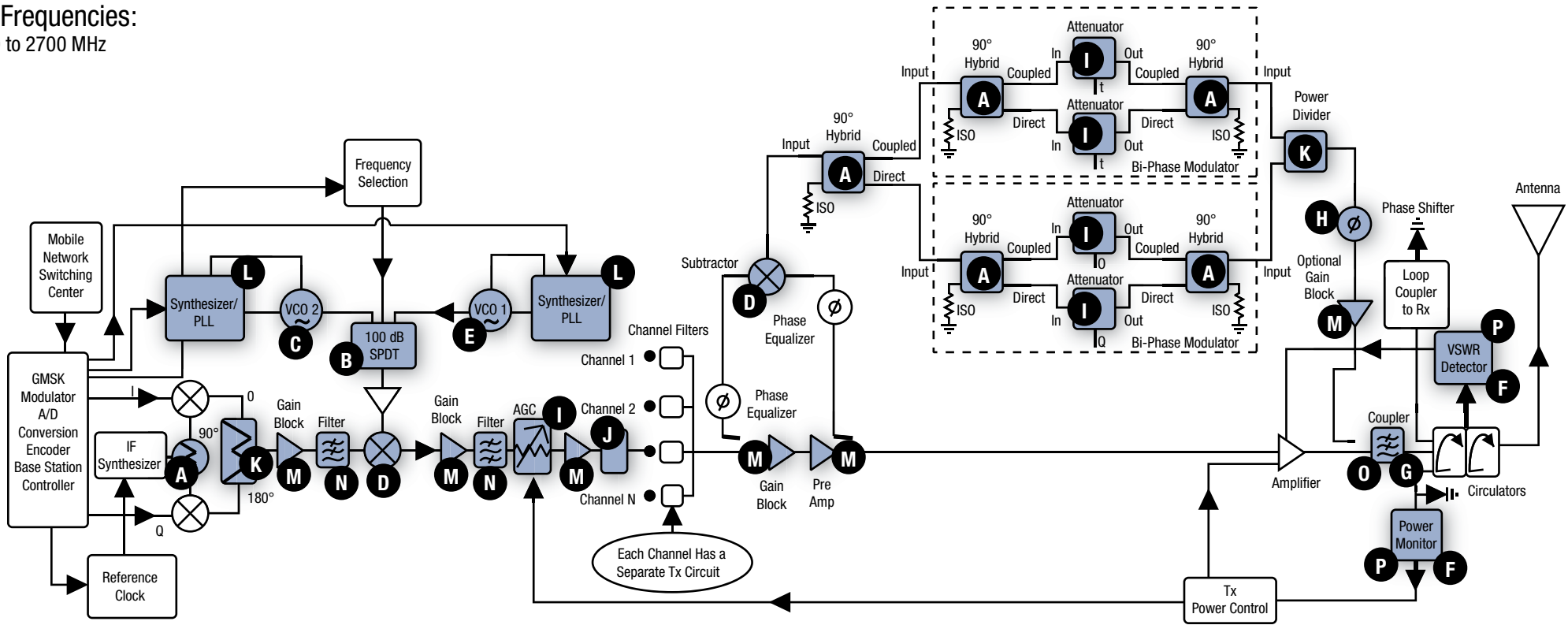


# Base Station Transmitter With Combining Amplifier

Part numbers link to product information

Tx Frequencies:

400 to 2700 MHz



## Hybrids

- A** HY17-12LF  
HY19-12LF  
HY22-73LF  
HY92-12LF

## SPDTs

- B** AS196-307LF  
SKY13286-359LF

## PIN Diodes

- APDxxxx  
SMP1302-011LF

## Varactor Diodes

- C** SMV1233-079LF  
SMV1763-079LF
- E** SMV1236-079LF

## Schottky Diodes and Mixers

- D** SKY73032  
SKY73033-11  
SKY73062-11  
SKY73063  
SKY73069-11  
SMS3926-023LF

## Schottky Diodes

- F** SMS3923-005LF

## Directional Couplers

- G** DC09-73LF  
DC18-73LF  
DC25-73LF

## Phase Shifter

- H** PS088-315

## PIN Diodes

- I** SMP1304-001LF  
SMP1307-001LF

## VV Attenuators

- AV101-12LF  
AV102-12LF  
AV111-12LF  
AV113-12LF

## Digital Attenuators

- J** SKY12322-86LF  
SKY12324-73LF  
SKY12325-350LF  
SKY12328-350LF  
SKY12339-350LF  
SKY12343-364LF  
SKY12345-362LF  
SKY12347-362LF  
SKY12406-360LF

## Power Dividers

- K** PD09-73LF  
PD18-73LF  
PD22-73LF

## Synthesizers/PLLs

- L** SKY72300-21  
SKY72302-21  
SKY73134-11  
SKY74038-21

## Amplifiers

- M** SKY65009-70LF  
SKY65013-70LF  
SKY65014-70LF  
SKY65015-70LF  
SKY65016-70LF  
SKY65017-70LF  
SKY65045-70LF  
SKY65080-70LF  
SKY65081-70LF  
SKY65120  
SKY65124  
SKY65126-21  
SKY65127  
SKY65161-70LF  
SKY65162-70LF

## Ceramic Band Pass Filters

## Ferrites

## Directional Detector

- P** DD02-999LF