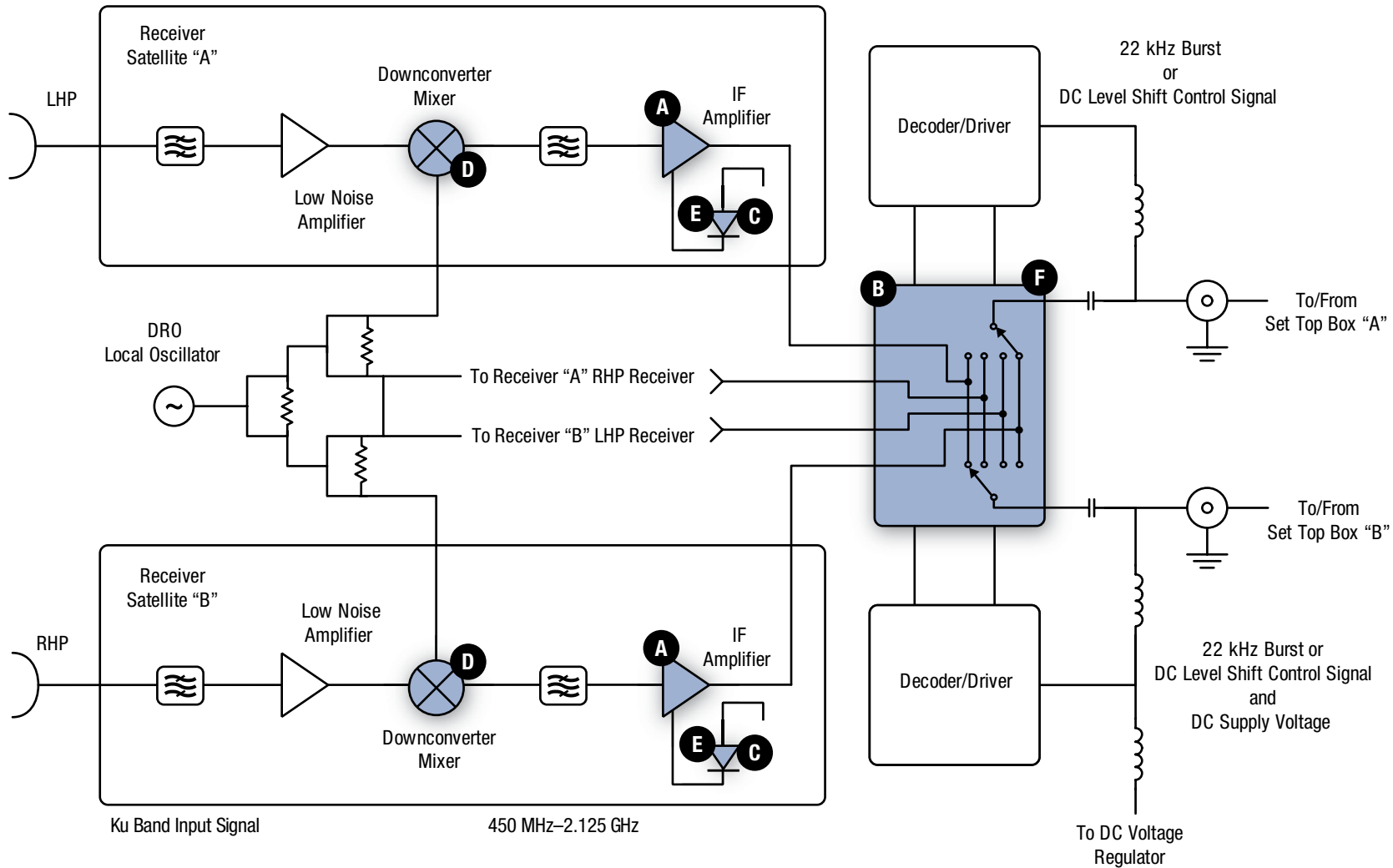


Low Noise Block (LNB)

Part numbers link to product information



Amplifiers

- A** SKY65013
- SKY65014
- SKY65015
- SKY65016
- SKY65017-70LF

Switches

- B** SKY13264-340LF
- SKY13272-340LF
- SKY13292-365LF
- SKY13293-340LF
- SKY13327-365LF
- SKY13369-365LF

- C** SMS7621-006LF

Schottky Diodes

- D** DMK2308-000
- DMK2790-000
- E** SMS7621-060

PIN Diodes

- F** SMP1321-005LF
- SMP1340-040LF
- SMP1340-079LF