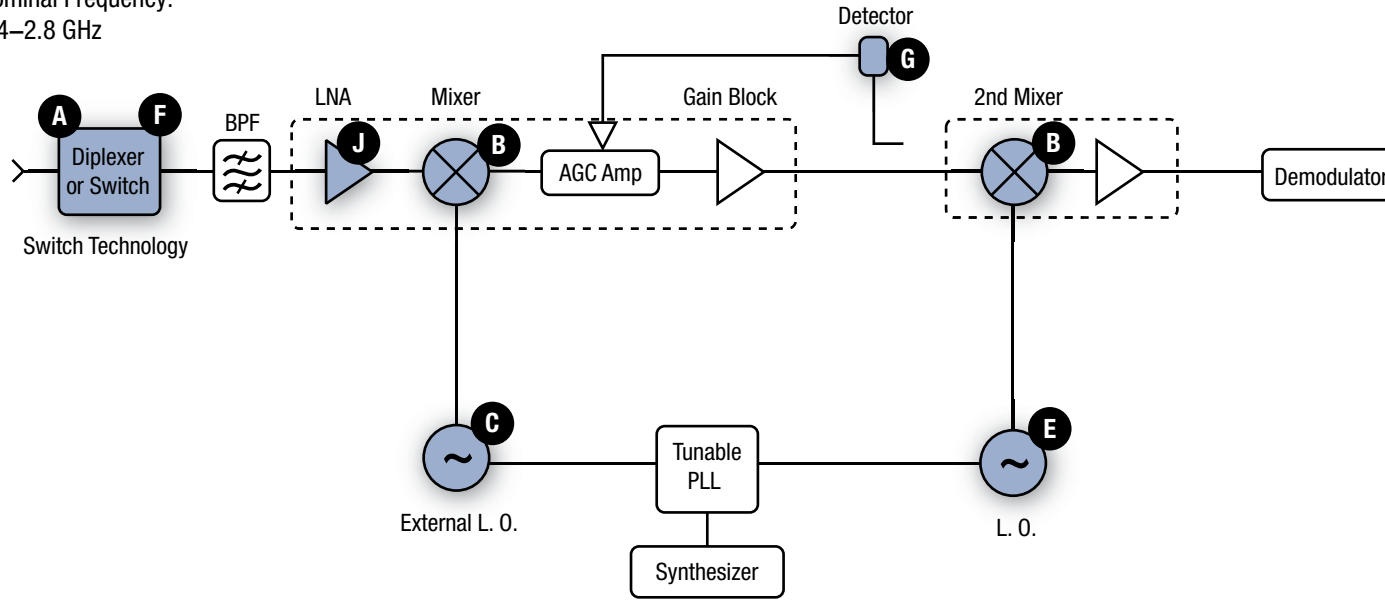


# MMDS Link

Part numbers link to product information

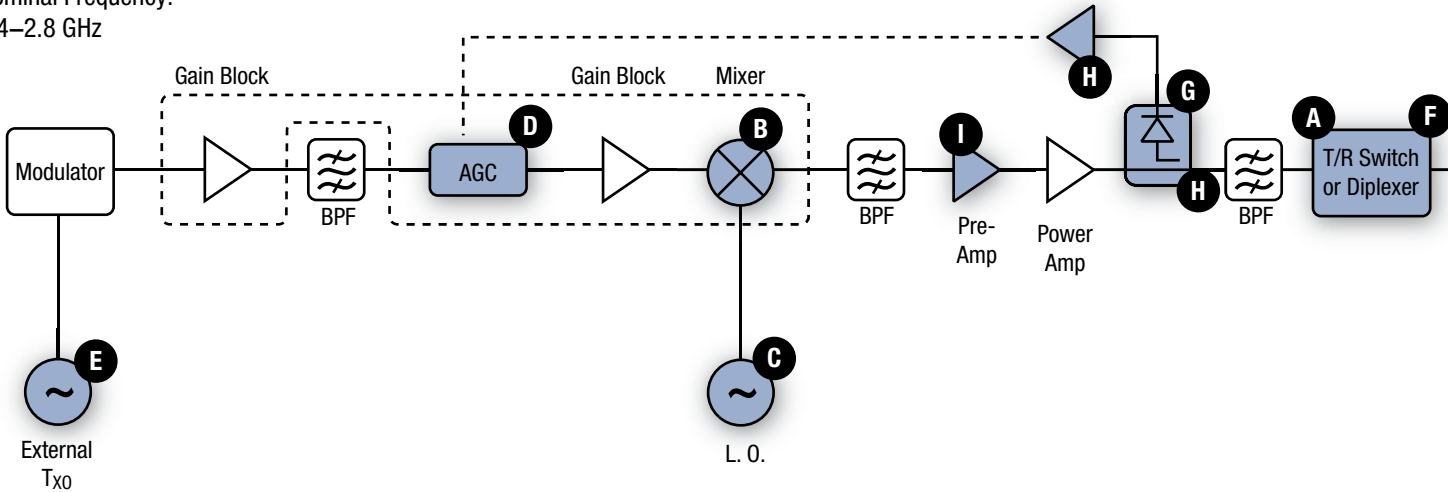
## Receiver

Nominal Frequency:  
2.4–2.8 GHz



## Transmitter

Nominal Frequency:  
2.4–2.8 GHz



### PIN Diodes

- AS191-73LF
- A** SKY13276-334
- SMP1340-079LF

### Mixers

- B** SKY42068-355LF
- SKY73025-11
- SKY73032
- SKY73035-11
- SKY73048
- SMS3926-023LF

- D** SMP1302 Series

- H** SMS7621 Series

### Varactor Diodes/Oscillators

- C** SKY73134-11
- SMV1213-079LF

- E** SKY73134-11
- SMV1213-079LF

- F** Ceramic Diplexer

### Directional Detector

- G** DD02-999LF

### Amplifiers

- I** SKY65013
- SKY65014
- SKY65015
- SKY65016
- SKY65017
- SKY65028-70LF
- SKY65081-70LF
- SKY65162-70LF

### Low Noise Amplifier

- J** SKY65081-70LF