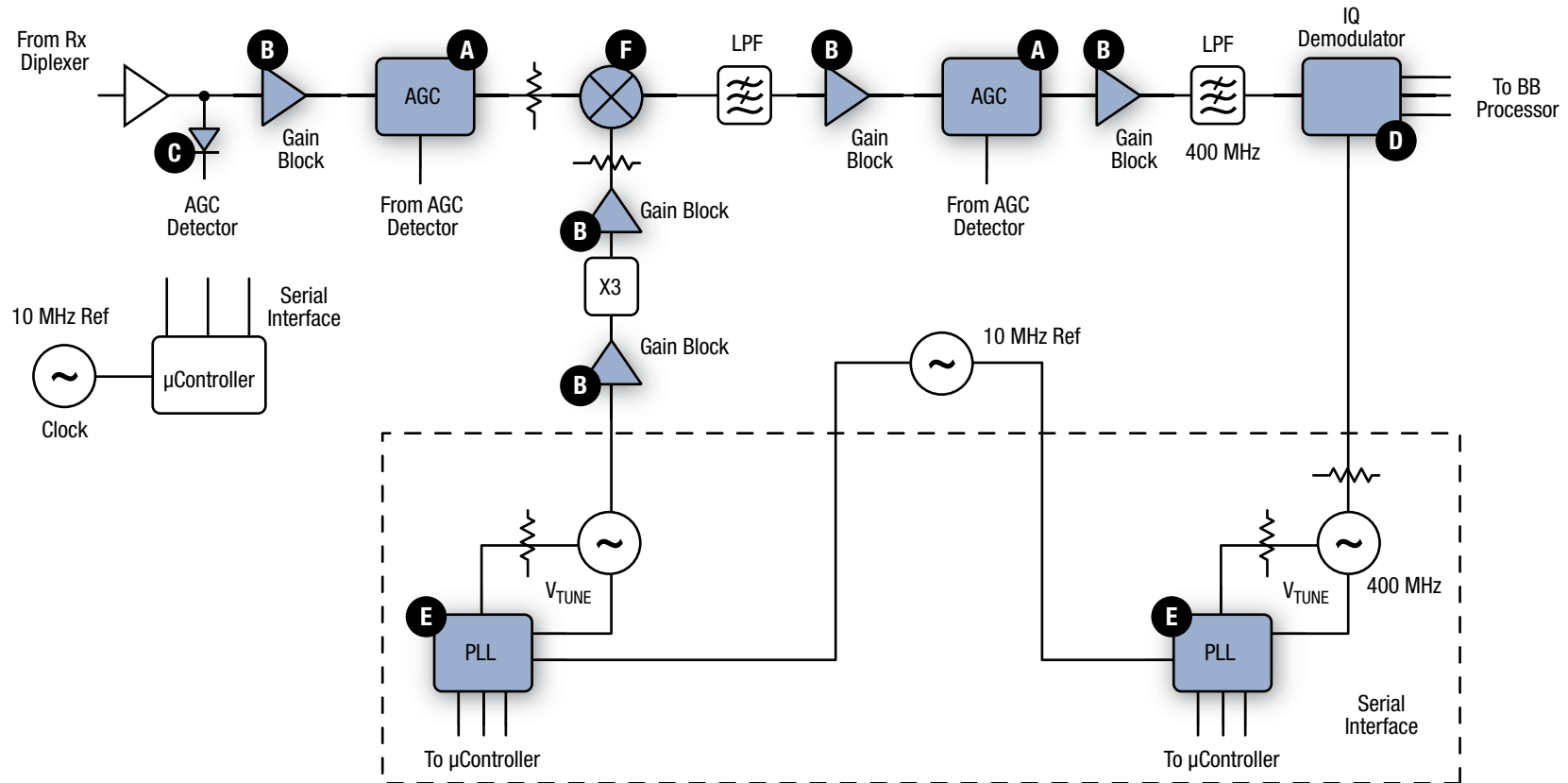


RF ID Receiver

Part numbers link to product information



Digital Attenuators

- A** SKY12324-73LF
- SKY12325-350LF
- SKY12328-350LF
- SKY12329-350LF
- SKY12345-362LF
- SKY12406-360LF

Amplifiers

- B** SKY65013
- SKY65014
- SKY65015
- SKY65016

Schottky Diodes

- C** SMS7630-079LF
- SMS7630-061
- SMS7630-040LF

Quadrature Demodulators

- D** SKY73009
- SKY73012

Synthesizers/PLLs

- E** SKY72300-21
- SKY72302-21
- SKY73100
- SKY73112-11
- SKY74038-21

Mixers

- F** SKY42068-355LF
- SKY73032
- SKY73035-11