

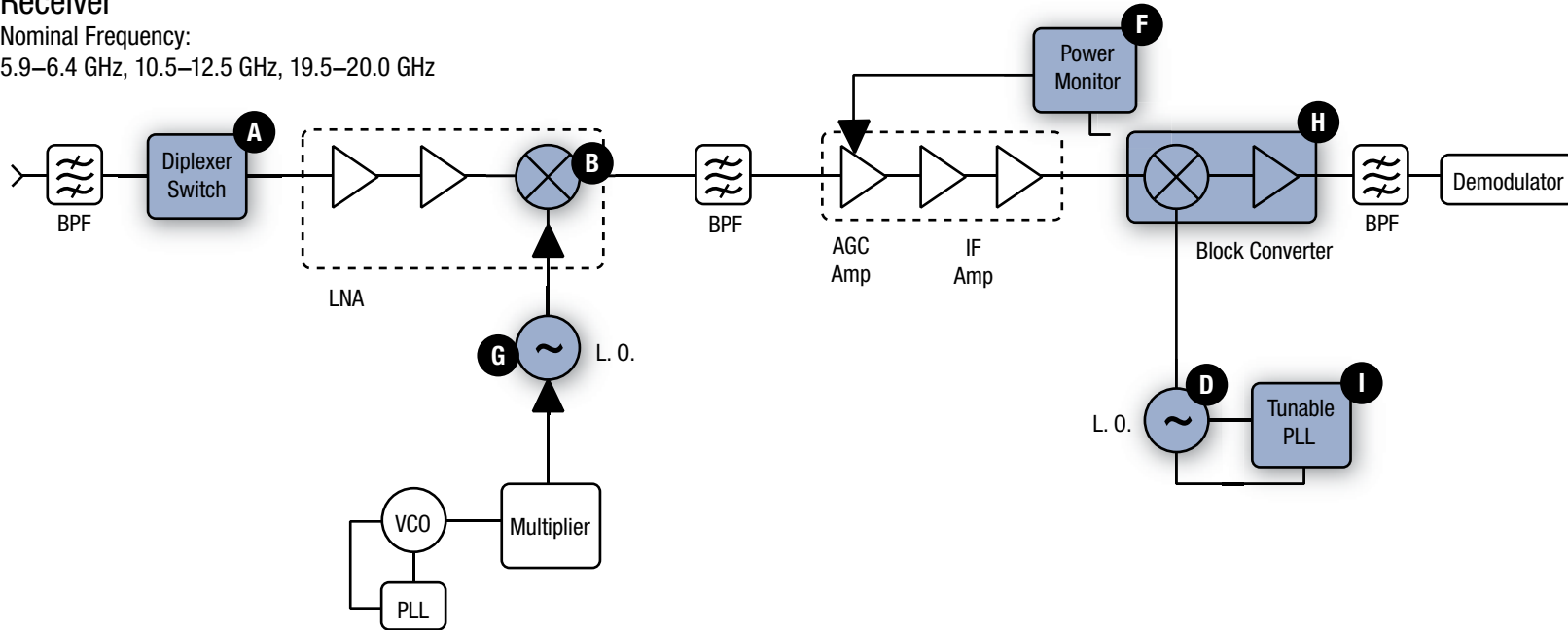
Satellite Systems

Part numbers link to product information

Receiver

Nominal Frequency:

5.9–6.4 GHz, 10.5–12.5 GHz, 19.5–20.0 GHz



PIN Diodes

A SMP1321-005LF

Schottky Diodes

B SMS7621-005LF

C SMS3926 Series

F DMK2308-000
SMS7621-040LF
SMS7621-079LF
SMS7630-061

Varactor Diodes

D SMV1265-011LF

E SMV1142-011LF

G SMV1430-079LF
SMV2019-079LF

Upconverters

H SKY42068-355LF
SKY73032
SKY73033

Synthesizers/PLLs

I SKY72310-362LF
SKY73100
SKY73101-11
SKY73103-11
SKY73112-11

Transmitter

Nominal Frequency:

5.9–6.4 GHz, 14.0–14.5 GHz, 29.5–30.0 GHz

