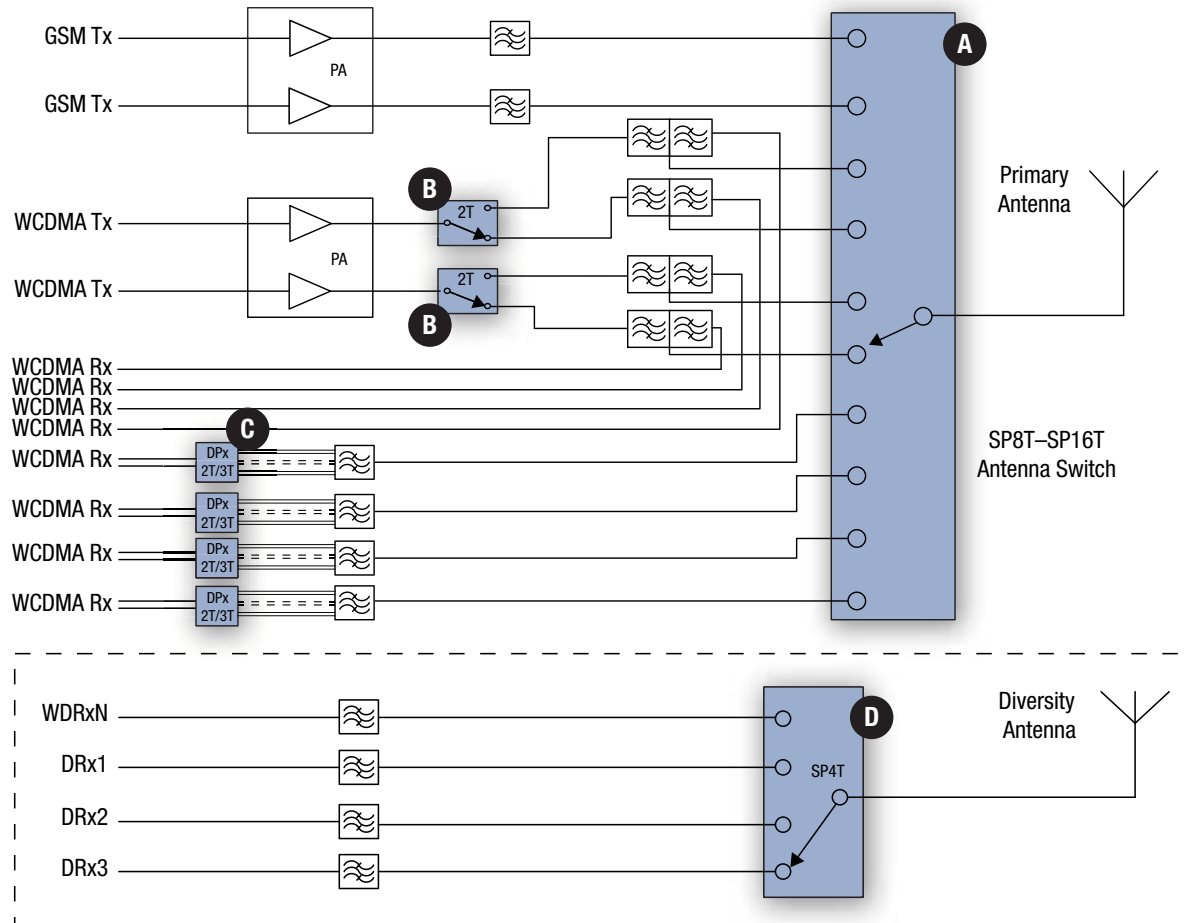


Smart Phone Using Discrete Switches or Antenna Switch Modules (ASMs)

Part numbers link to product information



--- Optional

Primary Antenna Switch

- A** SKY13362-389LF
- SKY13364-389LF
- SKY18106-455LF

WCDMA Distribution (Mode/Band) Switches

- B** SKY13309-370LF
- SKY13317-373LF
- SKY13323-378LF
- SKY13350-385LF
- SKY13351-378LF
- SKY13397-388LF

Rx Differential Switches

- C** SKY13354-368LF
- SKY13399-468LF
- SKY13421-486LF

Diversity Antenna Switches

- D** SKY13309-370LF
- SKY13317-373LF
- SKY13322-375LF
- SKY13323-378LF
- SKY13350-385LF
- SKY13351-378LF
- SKY13358-388LF
- SKY13380-350LF
- SKY14151-350LF