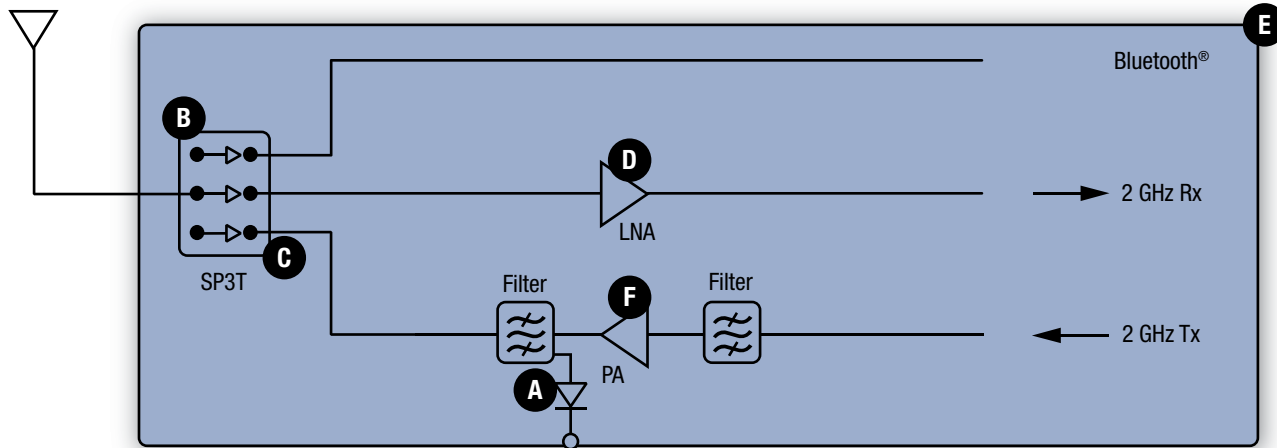


Wireless LAN Front-End for 802.11b,g,n

Single-Band Mobile and Portable Applications

Part numbers link to product information



Detectors

- A** DD02-999LF
- SMS3922-040LF
- SMS3922 Series
- SMS7621-040LF
- SMS7621-060
- SMS7621-079LF
- SMS7630-040LF
- SMS7630-061
- SMS7630-079LF

Switches

- B** AS236-321LF
- SKY13309-370LF
- SKY13317-373LF
- SKY13344-378LF

PIN Diodes

- C** SMP1340-079LF
- SMP1345-040LF
- SMP1345-518

Low Noise Amplifiers

- D** SE2600S-R
- SKY65047-360LF
- SKY65405-21
- SKY67014-396LF

Receive Module

- E** SE2564L-R
- SE2579U-R
- SE2601T-R
- SE2611T-R
- SE2613T-R
- SE2614BT-R
- SKY65523

2.5 GHz Power Amplifiers

- F** SE2527L-R
- SE2528L-R
- SE2565T-R
- SE2568L-R
- SE2568U-R
- SE2574L-R
- SE2576L-R
- SE2597L-R
- SE2598L-R
- SE2609L-R
- SKY65174-11