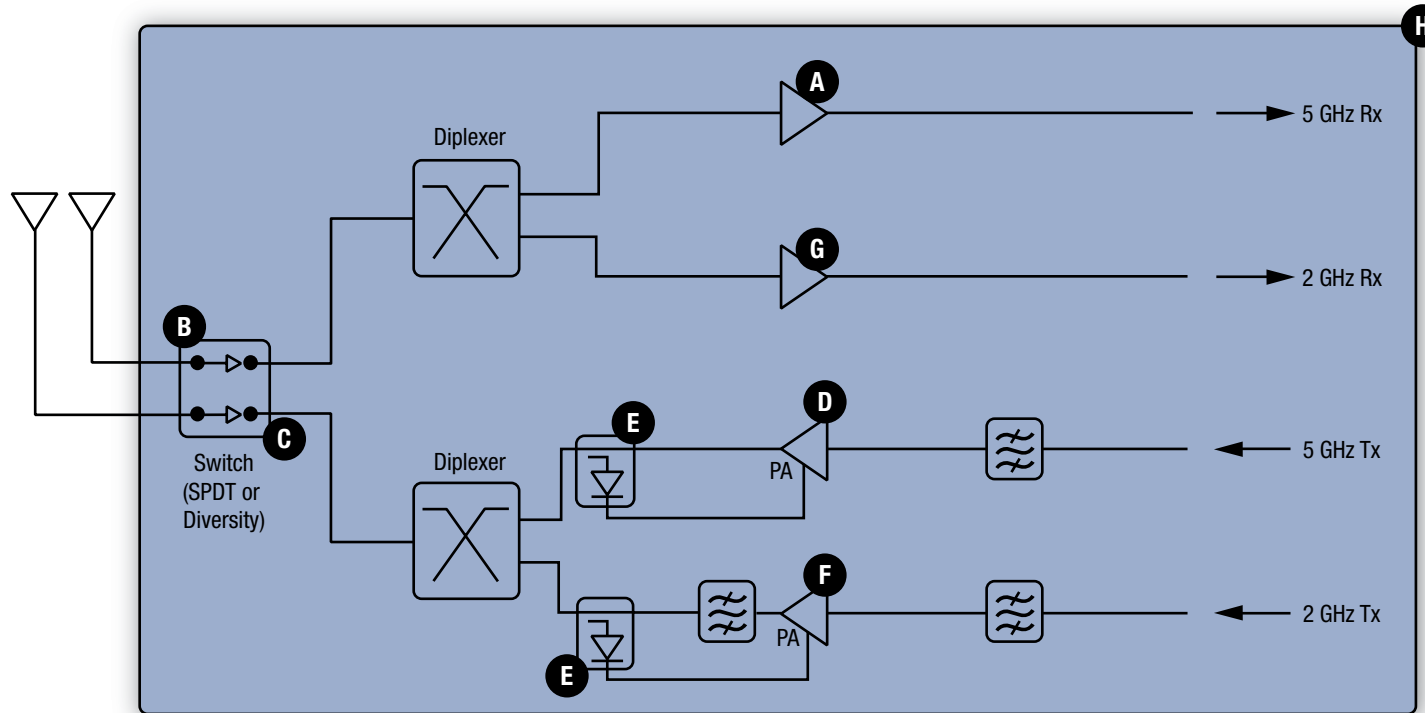


# Wireless LAN Front-End for 802.11a,b,g,n

## Dual-Band Applications, Multiple Antenna Configurations

Part numbers link to product information



### Ultra Low Noise Amplifiers

- A** SE5008L-R  
SKY65404-21
- G** SE2600S-R  
SKY65047-360LF  
SKY65405-21  
SKY67014-396LF

### Switches

- B** SKY13267-321LF  
SKY13276-334  
SKY13306-313LF  
SKY13314-374LF  
SKY13318-321LF  
SKY13335-381LF  
SKY13348-374LF  
SKY13350-385LF  
SKY13351-378LF

### PIN Diodes

- C** SMP1340-079LF  
SMP1345-040LF  
SMP1345-518

### Power Amplifiers

- D** SE2537L-R  
SE2567L-R  
SE5003L-R  
SE5004L-R  
SE5005L-R  
SKY65006-348LF  
SKY65132  
SKY65135  
SKY65152-11  
SKY65174-11

- F** SE2527L-R  
SE2528L-R  
SE2565T-R  
SE2568L-R  
SE2568U-R  
SE2574L-R  
SE2576L-R  
SE2597L-R  
SE2598L-R  
SE2609L-R  
SKY65137-11  
SKY65174-11

### Detectors

- E** DD02-999LF  
SMS7621-040LF  
SMS7621-060  
SMS7621-079LF  
SMS7630-040LF  
SMS7630-061  
SMS7630-079LF

### Front-End Modules

- H** SE2594L-R  
SE2595L-R  
SE5501L-R  
SE5502L-R  
SE5503A-R  
SE5510T-R  
SE5511T-R  
SE5512L-R  
SKY65249-11  
SKY65296-11