

PRODUCT SUMMARY

SKY74092: Dual-Band LNA for CDMA and PCS Mobile Handset Applications

Applications

- Dual-band, tri-mode cellular handsets
- CDMA and PCS phones

Features

- Wide voltage range for both digital and analog supply voltages (2.7 V < VCC < 3.3 V)
- Cellular band IS95/IS2000 LNA with four gain steps and programmable current
- Four-step gain control for CDMA and PCS bands
- PCS band IS95/IS2000 LNA with four gain steps and programmable current
- Three-wire serial bus for device programming
- LGA (16-pin, 3 x 3 x 1 mm) Pb-free (MSL3, 260 °C per JEDEC J-STD-020) package

NEW

Skyworks offers lead (Pb)-free RoHS (Restriction of Hazardous Substances) compliant packaging.



Description

The SKY74092 is a dual-band, tri-mode Low Noise Amplifier (LNA) intended for use in Code Division Multiple Access (CDMA) portable phones in both cellular and Personal Communications Service (PCS) bands. The device provides low noise amplification with high linearity to achieve high dynamic range.

Together with Skyworks SKY74100 direct conversion receiver, the SKY74092 offers a cost effective, high performance RF-to-baseband radio solution. By cascading the SKY74092 with the SKY74100 DCR™, Printed Circuit Board (PCB) layout can easily be optimized for small areas and easy routing.

Different modes, currents, and gain steps of low noise amplification are controlled by a serial three-wire bus interface. The device requires external supply filtering capacitors, one bias resistor, and various external components to match input and output impedance to 50 Ω. The SKY74092 is provided in a 3 x 3 mm Land Grid Array (LGA) package.

A functional block diagram for the SKY74092 is shown in Figure 1.

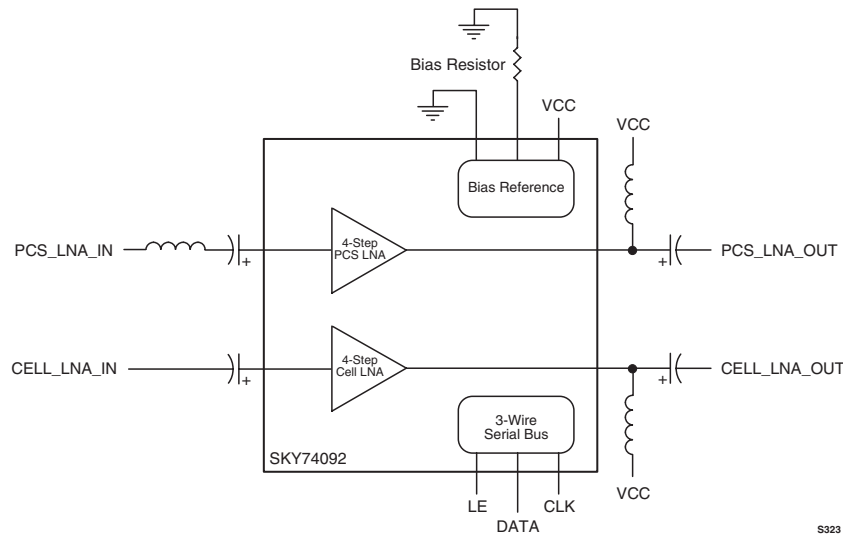


Figure 1. SKY74092 LNA Block Diagram

Ordering Information

Model Name	Manufacturing Part Number	Product Revision
SKY74092 CDMA LNA	SKY74092-11 (Pb-free package)	

Copyright © 2006 Skyworks Solutions, Inc. All Rights Reserved.

Information in this document is provided in connection with Skyworks Solutions, Inc. (“Skyworks”) products or services. These materials, including the information contained herein, are provided by Skyworks as a service to its customers and may be used for informational purposes only by the customer. Skyworks assumes no responsibility for errors or omissions in these materials or the information contained herein. Skyworks may change its documentation, products, services, specifications or product descriptions at any time, without notice. Skyworks makes no commitment to update the materials or information and shall have no responsibility whatsoever for conflicts, incompatibilities, or other difficulties arising from any future changes.

No license, whether express, implied, by estoppel or otherwise, is granted to any intellectual property rights by this document. Skyworks assumes no liability for any materials, products or information provided hereunder, including the sale, distribution, reproduction or use of Skyworks products, information or materials, except as may be provided in Skyworks Terms and Conditions of Sale.

THE MATERIALS, PRODUCTS AND INFORMATION ARE PROVIDED “AS IS” WITHOUT WARRANTY OF ANY KIND, WHETHER EXPRESS, IMPLIED, STATUTORY, OR OTHERWISE, INCLUDING FITNESS FOR A PARTICULAR PURPOSE OR USE, MERCHANTABILITY, PERFORMANCE, QUALITY OR NON-INFRINGEMENT OF ANY INTELLECTUAL PROPERTY RIGHT; ALL SUCH WARRANTIES ARE HEREBY EXPRESSLY DISCLAIMED. SKYWORKS DOES NOT WARRANT THE ACCURACY OR COMPLETENESS OF THE INFORMATION, TEXT, GRAPHICS OR OTHER ITEMS CONTAINED WITHIN THESE MATERIALS. SKYWORKS SHALL NOT BE LIABLE FOR ANY DAMAGES, INCLUDING BUT NOT LIMITED TO ANY SPECIAL, INDIRECT, INCIDENTAL, STATUTORY, OR CONSEQUENTIAL DAMAGES, INCLUDING WITHOUT LIMITATION, LOST REVENUES OR LOST PROFITS THAT MAY RESULT FROM THE USE OF THE MATERIALS OR INFORMATION, WHETHER OR NOT THE RECIPIENT OF MATERIALS HAS BEEN ADVISED OF THE POSSIBILITY OF SUCH DAMAGE.

Skyworks products are not intended for use in medical, lifesaving or life-sustaining applications, or other equipment in which the failure of the Skyworks products could lead to personal injury, death, physical or environmental damage. Skyworks customers using or selling Skyworks products for use in such applications do so at their own risk and agree to fully indemnify Skyworks for any damages resulting from such improper use or sale.

Customers are responsible for their products and applications using Skyworks products, which may deviate from published specifications as a result of design defects, errors, or operation of products outside of published parameters or design specifications. Customers should include design and operating safeguards to minimize these and other risks. Skyworks assumes no liability for applications assistance, customer product design, or damage to any equipment resulting from the use of Skyworks products outside of stated published specifications or parameters.

Skyworks, the Skyworks symbol, “Breakthrough Simplicity,” and DCR are trademarks or registered trademarks of Skyworks Solutions, Inc., in the United States and other countries. Third-party brands and names are for identification purposes only, and are the property of their respective owners. Additional information, including relevant terms and conditions, posted at www.skyworksinc.com, are incorporated by reference.