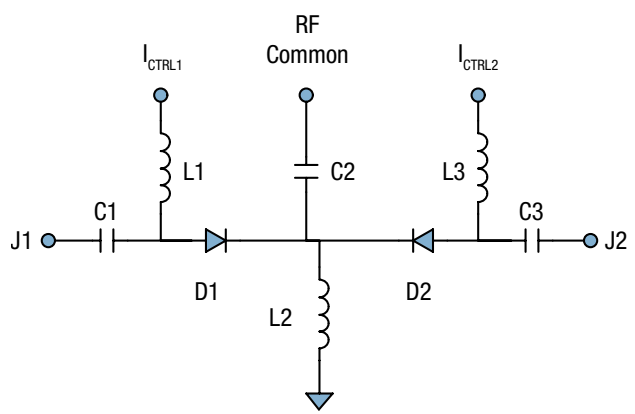
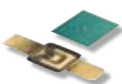






Switching PIN Diodes



Feature	Characteristics	Part Number
 High Frequency	– Performance up to 40 GHz	DSM8100 (Beam-Lead) APD0505-000 (Chip)
 High Isolation	– Very low capacitance and resistance – Isolation to 40 dB or more	SMP1345-079LF
 High Reliability	– Rugged, robust hermetic packages – Low capacitance and resistance	APD1520-240
 High Power	– Low cost, hermetic surface mount package – Very low thermal resistance shunt switch – Power handling to 50 W CW	SMP1302-108 SMP1302-085
 High Volume	– High-isolation to 40 dB in LNB, WLAN and wireless switch applications – Surface mount package, very low capacitance	SMP1340-079LF

Visit Us at IMS2009 Booth 1818 • Boston, MA June 9–11



New! Free Designer Kits Select products and sample/designer kits available for purchase online • www.skyworksinc.com



Innovation to Go[®]