



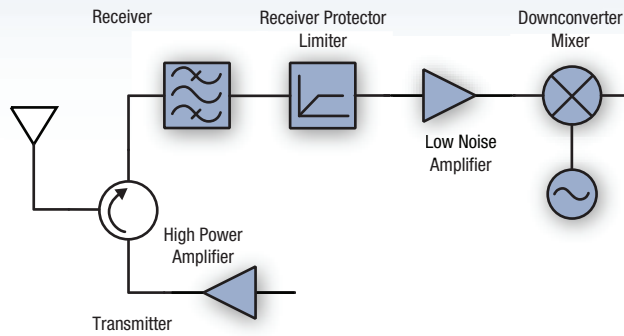
SKYWORKS®



Limiter Diodes

For Receiver Protection Applications from DC to >30 GHz

Skyworks' broad product portfolio includes limiter diodes as packaged and bondable silicon chips, in addition to ceramic hermetic packaged and plastic surface mount packaged devices.



Simplified Radar Transceiver with a Receiver Protector Limiter

Part Number	Threshold Level (dBm)	I Layer Thickness (µm)	Insertion Loss at -10 dBm & 10 GHz (dB)	Maximum Series Resistance at 10 mA and 1 GHz (Ω)	Maximum Junction Capacitance (pF)	Maximum CW Input Power (dBm)	Maximum Peak Input Power (dBm)
CLA4601	7	1	0.1	2.5	0.10	33	47
CLA4602	7	1	0.1	2	0.15	34.8	50
CLA4603	10	1.5	0.1	2	0.15	33	50
SMP1330 (packaged only)	10	1.5	0.35 @ 1 GHz	1.5	1.0 (total)	30	50
CLA4604	12	2	0.1	2.5	0.10	34.8	47
CLA4605	12	2	0.1	2	0.15	36	50
CLA4606	15	2.5	0.1	2	0.15	34.8	53
CLA4607	20	7	0.1	2	0.15	37.8	60
CLA4608	20	7	0.2	1.2	0.5	41.7	66
CLA4609	38	28	0.3	1.5	0.14	43	70

Skyworks Green™ products are compliant to all applicable materials legislation and are halogen-free. For additional information, refer to Skyworks Definition of Green™, document number SQ04-0074.

