



New Product Announcement

New Front-end Modules for Bluetooth® IoT Applications

Skyworks is pleased to introduce the [SKY66118-11](#) and the [SKY66407-11](#), 2.4 GHz front-end modules (FEMs) for Bluetooth® Internet of Things (IoT) applications including smartwatches, trackers, connected home systems, wireless and gaming headsets and more. These low power solutions significantly improve range (more than 2X) when compared to standalone system-on-chip (SoC) implementations, and efficiently deliver more power to the antenna, thereby minimizing or potentially eliminating any required antenna matching network. The FEMs also integrate PA output matching, harmonic filtering, and bypass path switching, which enable flexible and innovative end product designs for space-constrained IoT applications.

The solutions are available on reference designs from Cypress Semiconductor (SKY66118-11) and Dialog Semiconductor (SKY66407-11).

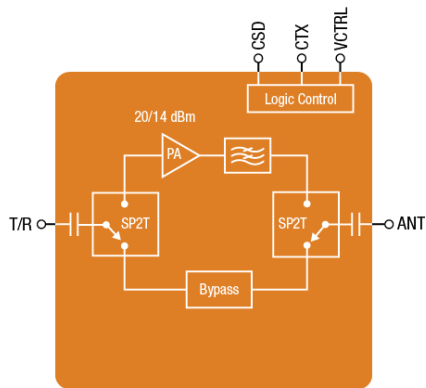
Features:

- PA with bypass path architecture
- Three modes of operation (transmit mode, bypass mode, and sleep mode)
- Wide supply range supporting a direct battery connection
- Excellent adjacent channel power (ACP) performance with Bluetooth® EDR modulations
- Extremely low current consumption
 - SKY66118-11, 55mA @ 3V, +14 dBm
 - SKY66407-11, 13mA @ 1.8V, +9.5 dBm

SKY66118-11



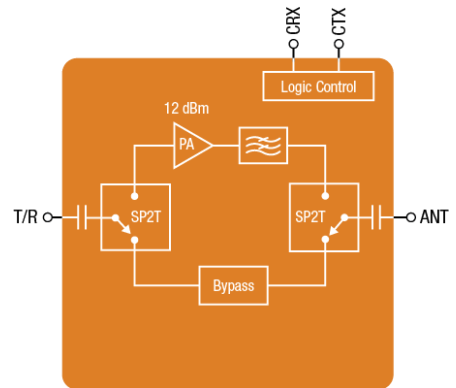
2.6 x 2.4 x 0.75 mm package



SKY66407-11



1.2 x 1.2 x 0.35 mm package



About Skyworks

Skyworks Solutions, Inc. is empowering the wireless networking revolution. Our highly innovative analog semiconductors are connecting people, places and things spanning a number of new and previously unimagined applications within the aerospace, automotive, broadband, cellular infrastructure, connected home, industrial, medical, military, smartphone, tablet and wearable markets. Skyworks is a global company with engineering, marketing, operations, sales and support facilities located throughout Asia, Europe and North America and is a member of the S&P 500® and Nasdaq-100® market indices (Nasdaq: SWKS). For more information, please visit Skyworks' website at:

www.skyworksinc.com





SKYWORKS®

New Product Announcement

Sales and Technical Support

Pricing depends on quantities. Please contact a sales representative at sales@skyworksinc.com or visit the company's website at www.skyworksinc.com for more information.

About Skyworks

Skyworks Solutions, Inc. is empowering the wireless networking revolution. Our highly innovative analog semiconductors are connecting people, places and things spanning a number of new and previously unimagined applications within the aerospace, automotive, broadband, cellular infrastructure, connected home, industrial, medical, military, smartphone, tablet and wearable markets. Skyworks is a global company with engineering, marketing, operations, sales and support facilities located throughout Asia, Europe and North America and is a member of the S&P 500® and Nasdaq-100® market indices (Nasdaq: SWKS). For more information, please visit Skyworks' website at: www.skyworksinc.com.

