

**PRELIMINARY DATA SHEET**

# SKY59608-711LF: Sky5® 2.4 to 8.3 GHz SPDT Switch

## Applications

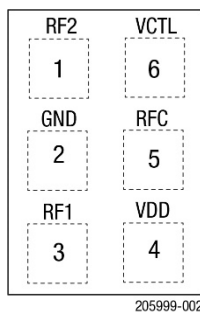
- WiFi 6E T/R switches
- WLAN repeaters
- UWB applications
- Low power transmit/receive systems
- Smartphones
- Connectivity modules

## Features

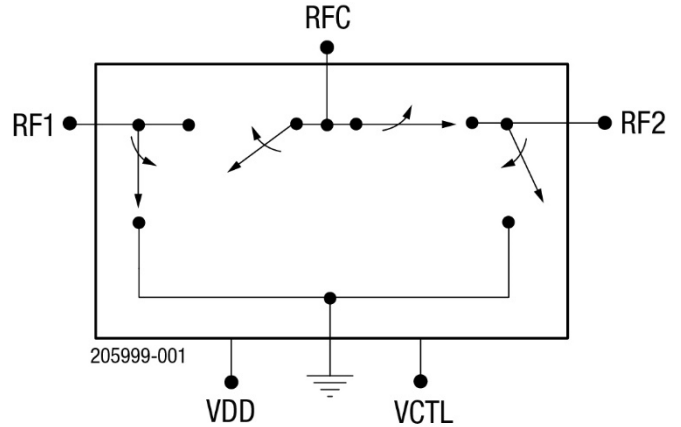
- Broadband frequency range: 2.4 to 8.3 GHz
- Low insertion loss, 0.75 dB typical @ 5 to 7 GHz
- High isolation, 23 dB typical @ 5 to 7 GHz
- Excellent linearity performance, IP0.1dB = +31 dBm
- Single control logic
- 1.1 V and 3.6 V logic compatibility
- Wide 2.7 to 5 V supply voltage range
- 200 nS switching time
- Ultra-miniature, MLPD (6-pin, 1.1 x 0.7 x 0.45 mm) package (MSL1, 260 °C per JEDEC J-STD-020)



Skyworks Green™ products are compliant with all applicable legislation and are halogen-free. For additional information, refer to *Skyworks Definition of Green™*, document number SQ04-0074.



**Figure 2. SKY59608-711LF Pinout (Top View)**



**Figure 1. SKY59608-711LF Block Diagram**

## Description

The SKY59608-711LF is a single-pole, double-throw (SPDT) switch intended for mode switching in WLAN applications. Using advanced switching technologies, the SKY59608-711LF maintains low insertion loss and high isolation for all switching paths. The SKY59608-711LF is part of our Sky5® product portfolio.

The high-linearity performance and low insertion loss achieved by the switch make it an ideal choice for low-power transmit/receive applications. Depending on the logic voltage applied to the control pin (VCTL), the RFC pin is connected to one of the two switched RF outputs (RF1 or RF2) using a low insertion loss path, while the path between the RFC pin and the other RF pin is in a high-isolation state. The switch is a “reflective short” on the isolated port.

The switch is manufactured in a compact, 1.1 x 0.7 x 0.45 mm, 6-pin exposed pad plastic Micro Lead-frame Package Dual (MLPD) package.

A functional block diagram is shown in Figure 1. The pin configuration and package are shown in Figure 2. Signal pin assignments and functional pin descriptions are provided in Table 1.

**Table 1. SKY59608-711LF Signal Descriptions**

Pin	Name	Description	Pin	Name	Description
1	RF2	RF port	4	VDD	DC supply voltage
2	GND	Ground	5	RFC	RF common port
3	RF1	RF port	6	VCTL	Control pin

### Electrical and Mechanical Specifications

The absolute maximum ratings of the SKY59608-711LF are provided in Table 2. The recommended operating conditions are specified in Table 3, and electrical specifications are provided in Table 4.

The state of the SKY59608-711LF is determined by the logic provided in Table 5.

**Table 2. SKY59608-711LF Absolute Maximum Ratings<sup>1</sup>**

Parameter	Symbol	Minimum	Maximum	Units
Input power	PIN		+32	dBm
Supply voltage	VDD		5.5	V
Control voltage	VCTL		3.7	V
Storage temperature	TSTG	-65	+150	°C
Operating temperature	TOP	-40	+90	°C

<sup>1</sup> Exposure to maximum rating conditions for extended periods may reduce device reliability. There is no damage to device with only one parameter set at the limit and all other parameters set at or below their nominal value. Exceeding any of the limits listed here may result in permanent damage to the device.

**ESD HANDLING:** Industry-standard ESD handling precautions must be adhered to at all times to avoid damage to this device.

**Table 3. SKY59608-711LF Recommended Operating Conditions**

Parameter	Symbol	Minimum	Typical	Maximum	Units
Operating frequency	fo	2.4		8.3	GHz
Supply voltage	VDD	2.7	3.3	5	V
Control voltage: Low	VCTL_L	0		0.4	V
High	VCTL_H	1.1		3.6	V
Operating temperature	TOP		+25		°C

**Table 4. SKY59608-711LF Electrical Specifications<sup>1</sup>**

(V<sub>DD</sub> = 3.3 V, V<sub>CTL</sub> = 0 V and 1.8 V, T<sub>OP</sub> = +25 °C, P<sub>IN</sub> = 0 dBm, Characteristic Impedance [Z<sub>0</sub>] = 50 Ω, Unless Otherwise Noted)

Parameter	Symbol	Test Condition	Minimum	Typical	Maximum	Units
Insertion loss	IL	2400 to 5000 MHz		0.5		dB
		5150 to 5925 MHz		0.6		dB
		5925 to 7125 MHz		0.75		dB
		7125 to 8300 MHz		0.8		dB
Isolation	ISO	2400 to 5000 MHz		28		dB
		5150 to 5925 MHz		26		dB
		5125 To 7125 MHz		23		dB
		7125 to 8300 MHz		20		dB
Input return loss	[S11]	5150 to 7125 MHz		14		dB
Output return loss	[S22]	5150 to 7125 MHz		16		dB
P0.1dB compression point	P0.1dB	5125 to 7125 MHz		+31		dBm
Harmonics	2fo	P <sub>IN</sub> = +24 dBm: AX80-MCS0 fo = 5150 to 7125 MHz		-54		dBm
	3fo	P <sub>IN</sub> = +24 dBm: AX80-MCS0 fo = 5150 to 7125 MHz		-53		dBm
Error vector magnitude	EVM	P <sub>in</sub> = 24 dBm, AX80-MCS11, F <sub>0</sub> = 5150 to 7125 MHz		-44		dB
IIP3	IIP3	Tone1 = Tone2 = 20 dBm Tone spacing = 10 MHz fo = 5150 to 7125 MHz		65		dBm
Turn on time	T <sub>on</sub>	Application of V <sub>DD</sub> to switch ready for use		10		μs
Switching speed	T <sub>sw</sub>	50% V <sub>CTL</sub> to 90% RF		200		ns
Supply current	I <sub>DD</sub>			13		μA

<sup>1</sup> Performance is guaranteed only under the conditions listed in this table.

**Table 5. SKY59608-711LF Truth Table<sup>1</sup>**

VDD (Pin 4)	VCTL (Pin 6)	RFC to RF1 Path	RFC to RF2 Path
1	0	Insertion loss	Isolation
1	1	Isolation	Insertion loss

<sup>1</sup> "1" indicates V<sub>DD</sub> = 2.7 to 5 V, V<sub>CTL</sub> = 1.1 to 3.6 V.

"0" indicates V<sub>CTL</sub> = 0 to 0.4 V.

Any state other than described in this table places the switch into an undefined state. An undefined state will not damage the device.

## Typical Performance Characteristics

( $V_{DD} = 3.3\text{ V}$ ,  $V_{CTL} = 0\text{ V}$  and  $1.8\text{ V}$ ,  $T_{OP} = +25\text{ °C}$ ,  $P_{IN} = 0\text{ dBm}$ , Characteristic Impedance [ $Z_0$ ] =  $50\ \Omega$ , Unless Otherwise Noted)

TBD

### Evaluation Board Description

The SKY59608-711LF Evaluation Board is used to test the performance of the SKY59608-711LF SPDT Switch. An Evaluation Board diagram is provided in Figure 3. An assembly drawing for the Evaluation Board is shown in Figure 4.

### Package Dimensions

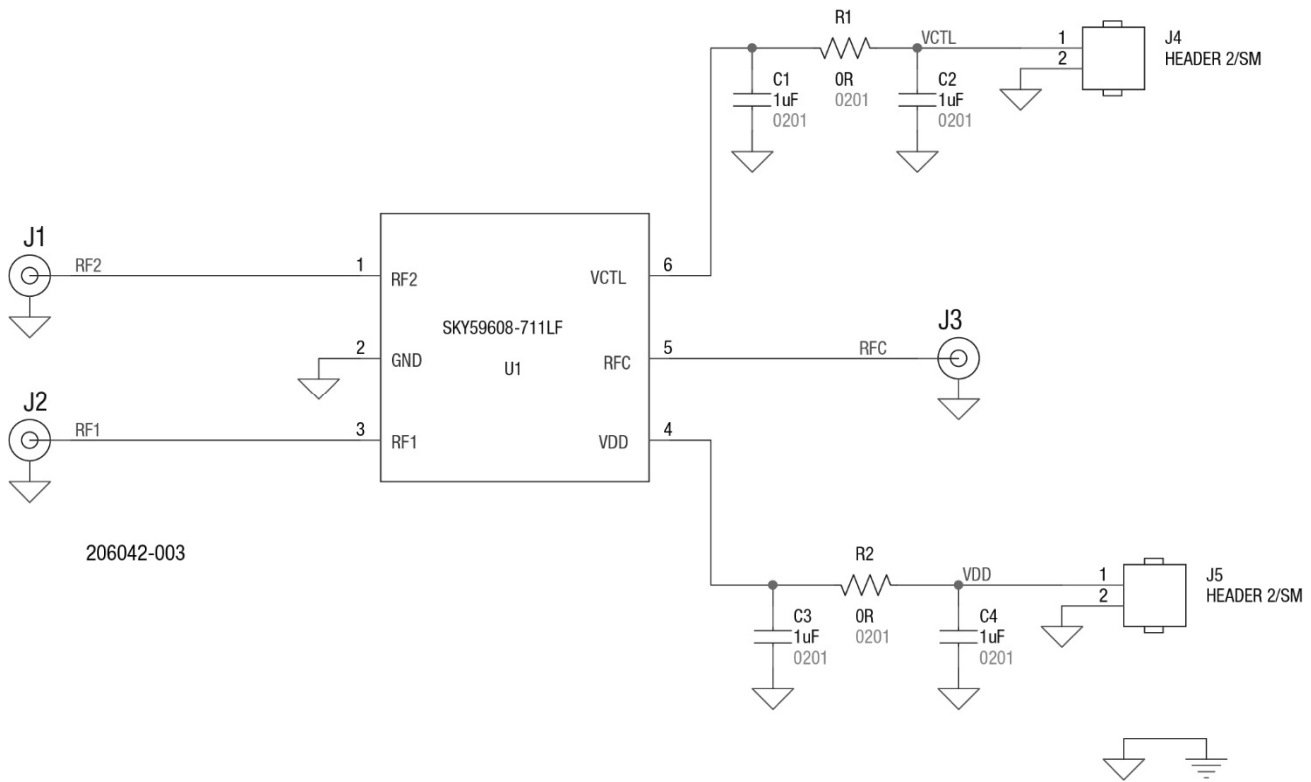
The PCB layout footprint for the SKY59608-711LF is provided in Figure 5. Typical part markings are shown in Figure 6. Package dimensions are shown in Figure 7, and tape and reel dimensions are provided in Figure 8.

### Package and Handling Information

Instructions on the shipping container label regarding exposure to moisture after the container seal is broken must be followed. Otherwise, problems related to moisture absorption may occur when the part is subjected to high temperature during solder assembly.

The SKY59608-711LF is rated to Moisture Sensitivity Level 1 (MSL1) at 260 °C. It can be used for lead or lead-free soldering. For additional information, refer to the Skyworks Application Note, *Solder Reflow Information*, document number 200164.

Care must be taken when attaching this product, whether it is done manually or in a production solder reflow environment. Production quantities of this product are shipped in a standard tape and reel format.



**Figure 3. SKY59608-711LF Evaluation Board Schematic**

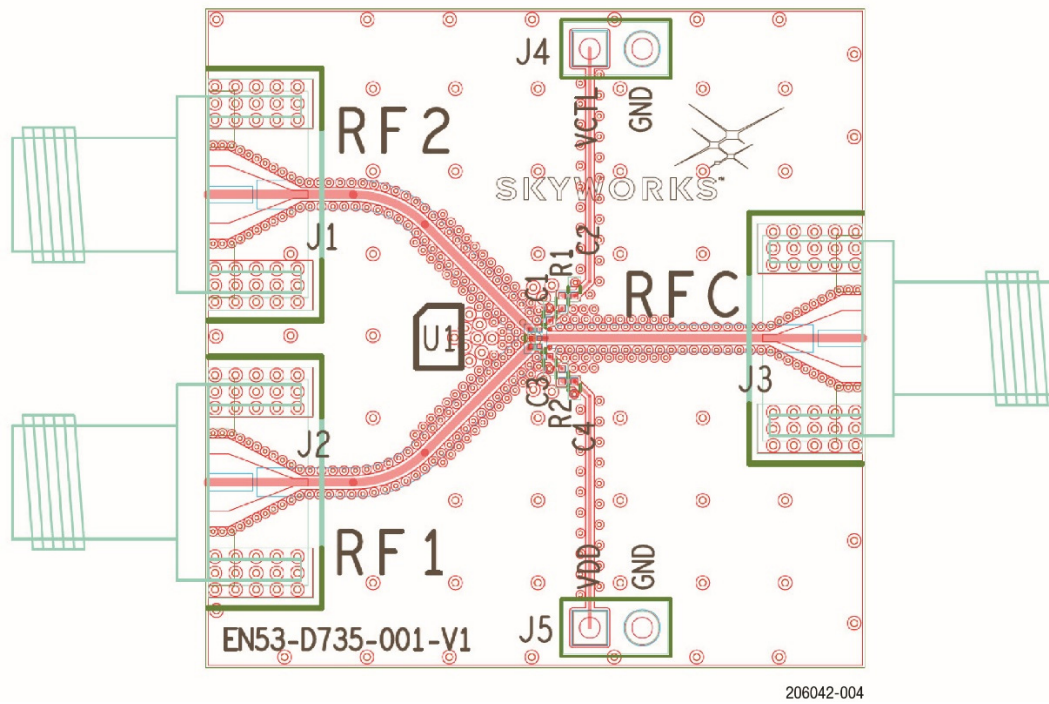
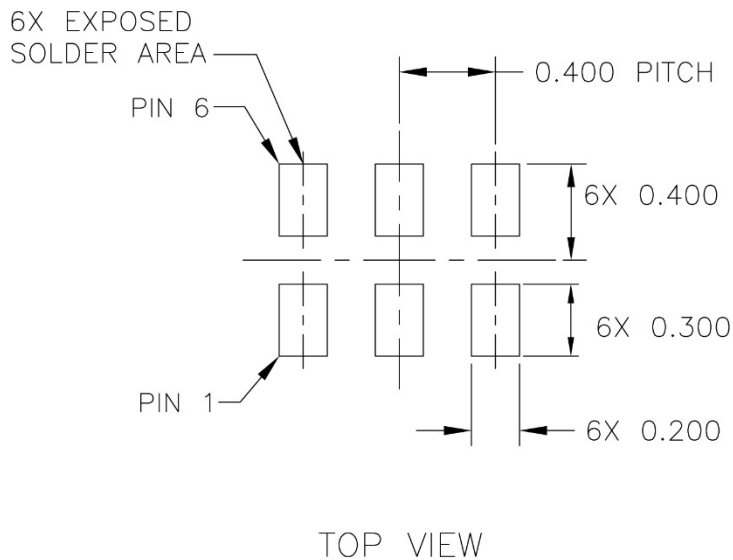


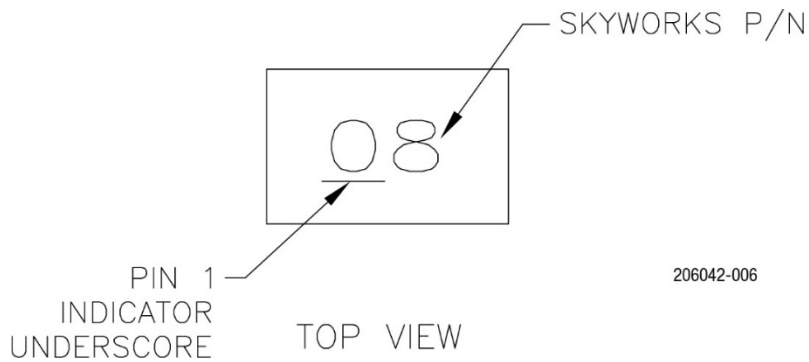
Figure 4. SKY59608-711LF Evaluation Board Assembly Diagram



UNLESS OTHERWISE SPECIFIED  
 DIMENSIONS ARE IN MILLIMETERS  
 TOLERANCES ON FINISH: RMS 63  
 ANGLES: ±1/2° FRACTIONS: ±1/64  
 3 PLACE DECIMALS: ±0.025  
 2 PLACE DECIMALS: ±0.05  
 1 PLACE DECIMALS: ±0.1

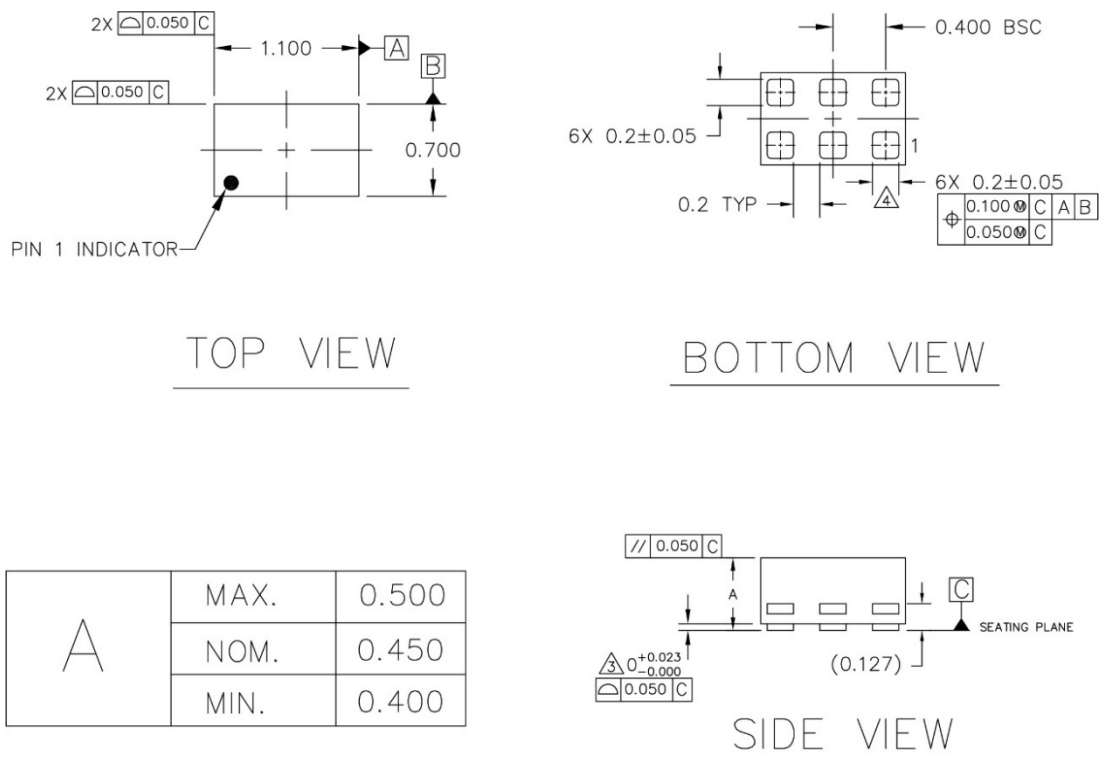
206042-005

Figure 5. SKY59608-711LF PCB Layout Footprint (Top View)



206042-006

**Figure 6. Typical Part Markings (Top View)**



NOTES:

1. PLATING REQUIREMENT PER SOURCE CONTROL DRAWING (SCD) 2504.
2. DIMENSIONING AND TOLERANCING PER ASME Y14.5M-1994.
3. COPLANARITY APPLIES TO THE TERMINALS AND ALL OTHER BOTTOM SURFACE METALLIZATION.
4. DIMENSION APPLIES TO METALLIZED TERMINAL. IF THE TERMINAL HAS A RADIUS ON ITS END, THE WIDTH DIMENSION SHOULD NOT BE MEASURED IN THAT RADIUS AREA.
5. ALL DIMENSIONS ARE IN MILLIMETERS.

206042-007

**Figure 7. SKY59608-711LF Package Dimensions**

TBD

**Figure 8. SKY59608-711LF Tape and Reel Dimensions**



## Ordering Information

Model Name	Manufacturing Part Number	Evaluation Board Part Number
SKY59608-711LF: 2.4 to 8.3 GHz SPDT Switch	SKY59608-711LF	SKY59608-711EK1

Copyright © 2021 - 2022 Skyworks Solutions, Inc. All Rights Reserved.

Information in this document is provided in connection with Skyworks Solutions, Inc. ("Skyworks") products or services. These materials, including the information contained herein, are provided by Skyworks as a service to its customers and may be used for informational purposes only by the customer. Skyworks assumes no responsibility for errors or omissions in these materials or the information contained herein. Skyworks may change its documentation, products, services, specifications or product descriptions at any time, without notice. Skyworks makes no commitment to update the materials or information and shall have no responsibility whatsoever for conflicts, incompatibilities, or other difficulties arising from any future changes.

No license, whether express, implied, by estoppel or otherwise, is granted to any intellectual property rights by this document. Skyworks assumes no liability for any materials, products or information provided hereunder, including the sale, distribution, reproduction or use of Skyworks products, information or materials, except as may be provided in Skyworks' Terms and Conditions of Sale.

THE MATERIALS, PRODUCTS AND INFORMATION ARE PROVIDED "AS IS" WITHOUT WARRANTY OF ANY KIND, WHETHER EXPRESS, IMPLIED, STATUTORY, OR OTHERWISE, INCLUDING FITNESS FOR A PARTICULAR PURPOSE OR USE, MERCHANTABILITY, PERFORMANCE, QUALITY OR NON-INFRINGEMENT OF ANY INTELLECTUAL PROPERTY RIGHT; ALL SUCH WARRANTIES ARE HEREBY EXPRESSLY DISCLAIMED. SKYWORKS DOES NOT WARRANT THE ACCURACY OR COMPLETENESS OF THE INFORMATION, TEXT, GRAPHICS OR OTHER ITEMS CONTAINED WITHIN THESE MATERIALS. SKYWORKS SHALL NOT BE LIABLE FOR ANY DAMAGES, INCLUDING BUT NOT LIMITED TO ANY SPECIAL, INDIRECT, INCIDENTAL, STATUTORY, OR CONSEQUENTIAL DAMAGES, INCLUDING WITHOUT LIMITATION, LOST REVENUES OR LOST PROFITS THAT MAY RESULT FROM THE USE OF THE MATERIALS OR INFORMATION, WHETHER OR NOT THE RECIPIENT OF MATERIALS HAS BEEN ADVISED OF THE POSSIBILITY OF SUCH DAMAGE.

Skyworks products are not intended for use in medical, lifesaving or life-sustaining applications, or other equipment in which the failure of the Skyworks products could lead to personal injury, death, physical or environmental damage. Skyworks customers using or selling Skyworks products for use in such applications do so at their own risk and agree to fully indemnify Skyworks for any damages resulting from such improper use or sale.

Customers are responsible for their products and applications using Skyworks products, which may deviate from published specifications as a result of design defects, errors, or operation of products outside of published parameters or design specifications. Customers should include design and operating safeguards to minimize these and other risks. Skyworks assumes no liability for applications assistance, customer product design, or damage to any equipment resulting from the use of Skyworks products outside of Skyworks' published specifications or parameters.

Skyworks, the Skyworks symbol, Sky5®, SkyOne®, SkyBlue™, Skyworks Green™, Clockbuilder®, DSPLL®, ISOMODem®, ProSLIC®, and SiPHY® are trademarks or registered trademarks of Skyworks Solutions, Inc. or its subsidiaries in the United States and other countries. Third-party brands and names are for identification purposes only and are the property of their respective owners. Additional information, including relevant terms and conditions, posted at [www.skyworksinc.com](http://www.skyworksinc.com), are incorporated by reference.